



SOLAR RATING & CERTIFICATION CORPORATION

**CERTIFIED SOLAR SYSTEM**

SUPPLIER:  
**Alternate Energy Technologies**  
 1345 Energy Cove Court  
 Green Cove Springs, FL 32043 USA  
 www.aetsolar.com

In Accordance with:  
**SRCC OG-300-2008-06**

BRAND: EAGLESUN INDIRECT SOLAR WATER HEATING SYSTEM  
 MODEL: I-80-64  
 SYSTEM TYPE: Pumped, Indirect  
 CERTIFICATION #: 2010082D  
 Original Certification: June 10, 2011  
 Expiration Date: February 28, 2020

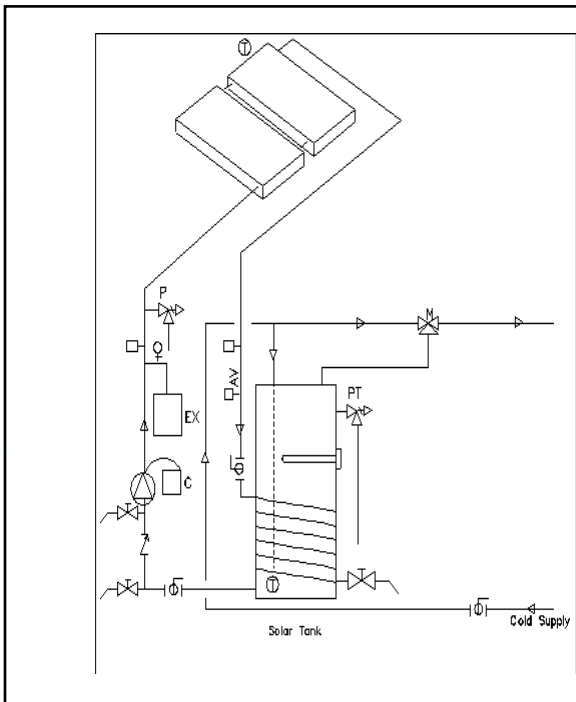
The solar system listed below has been evaluated by the Solar Rating & Certification Corporation™ (SRCC™), an ISO/IEC 17065 accredited and EPA recognized Certification Body, in accordance with SRCC OG-300, Operating Guidelines for Certifying Solar Water Heating Systems, and has been certified by the SRCC. This award of certification is subject to all terms and conditions of the Program Agreement and the documents incorporated therein by reference. This document must be reproduced in its entirety.

Description: Glazed Flat Plate, Differential, -29 °C -20 °F, GRAS, UL listed electric tank, Fluid, Tank high limit

| Single-day Rating                       |                                   | SINGLE DAY RATING CONDITIONS        |                              | SI Units                       | Inch-Pound Units |
|---|-----------------------------------|-------------------------------------|------------------------------|--------------------------------|------------------|
| Solar Energy Factor (SEF <sub>D</sub> ) | Solar Fraction (SF <sub>D</sub> ) | System Set Temperature              | 57.2 °C                      | 135 °F                         |                  |
| 3.1                                     | 0.71                              | Environmental Temperature           | 19.7 °C                      | 67.5 °F                        |                  |
|   |                                   | Ambient Temperature Profile Average | 14.4 °C                      | 58 °F                          |                  |
|   |                                   | Water Mains Temperature             | 14.4 °C                      | 58 °F                          |                  |
|   |                                   | Delivered Load                      | 43.3 MJ/day                  | 41,045 Btu/day                 |                  |
|   |                                   | Solar Irradiance                    | 4,733 Wh/m <sup>2</sup> -day | 1,500 Btu/ft <sup>2</sup> -day |                  |

|   |  |
|---|--|
| Single-day Rating Conditions:<br>SEF <sub>D</sub> = Solar Energy Factor (info link)<br>SF <sub>D</sub> = Solar Fraction (info link) |  |
|---|--|



| Storage Tank(s)   |                      |
|---|----------------------|
| Solar Tank Vol (l)  | Solar Tank Vol (gal) |
| 303   | 80                   |
| Approximate Collector Area: 6.1 m <sup>2</sup> , 65.3 ft <sup>2</sup> |                      |

The solar water system listed here has been certified by the SRCC as meeting the minimum standards for testing, installation, operation, maintenance, performance, reliability and safety as specified in SRCC Document OG-300. Thermal performance ratings are based on the successful durability and performance testing of a sample collector, where said tests have been conducted by an independent laboratory approved and listed by the SRCC. The system has been modeled using the computer simulation program TRNSYS to calculate the ratings.

Before the Supplier can make any change in design, materials, specifications, parts, or construction, the change(s) must be reported to the SRCC for evaluation of continued certification.

**REMARKS:**

*Jen Higgins*  
 Technical Director

Print Date: August, 2015 Page 1 of 2  
 Please verify certification is active on the SRCC website.  
 © Solar Rating & Certification Corporation™



**CERTIFIED SOLAR SYSTEM**



SOLAR RATING  
& CERTIFICATION  
CORPORATION

SUPPLIER:  
**Alternate Energy Technologies**  
1345 Energy Cove Court  
Green Cove Springs, FL 32043 USA  
www.aetsolar.com

In Accordance with:  
**SRCC OG-300-2008-06**

BRAND: EAGLESUN INDIRECT  
SOLAR WATER HEATING  
SYSTEM

MODEL: I-80-64  
SYSTEM TYPE: Pumped, Indirect

CERTIFICATION #: 2010082D  
Original June 10, 2011

Certification:  
Expiration Date: February 28, 2020

The solar system listed below has been evaluated by the Solar Rating & Certification Corporation™ (SRCC™), an ISO/IEC 17065 accredited and EPA recognized Certification Body, in accordance with SRCC OG-300, Operating Guidelines for Certifying Solar Water Heating Systems, and has been certified by the SRCC. This award of certification is subject to all terms and conditions of the Program Agreement and the documents incorporated therein by reference. This document must be reproduced in its entirety.

Only the following options for the collector array are approved:

| Option | Collector Panel Manufacturer  | Collector Panel Request Number | Collector Panel Model Number | Collector Panel Name | Quantity | Total Panel area(m <sup>2</sup> ) | Total Panel area(ft <sup>2</sup> ) |
|--------|-------------------------------|--------------------------------|------------------------------|----------------------|----------|-----------------------------------|------------------------------------|
| 1      | Alternate Energy Technologies | 10001938                       | MSC-32                       | Morning Star         | 2        | 6.07                              | 65.34                              |



Print Date: August, 2015 Page 2 of 2  
Please verify certification is active on the SRCC website.  
© Solar Rating & Certification Corporation™