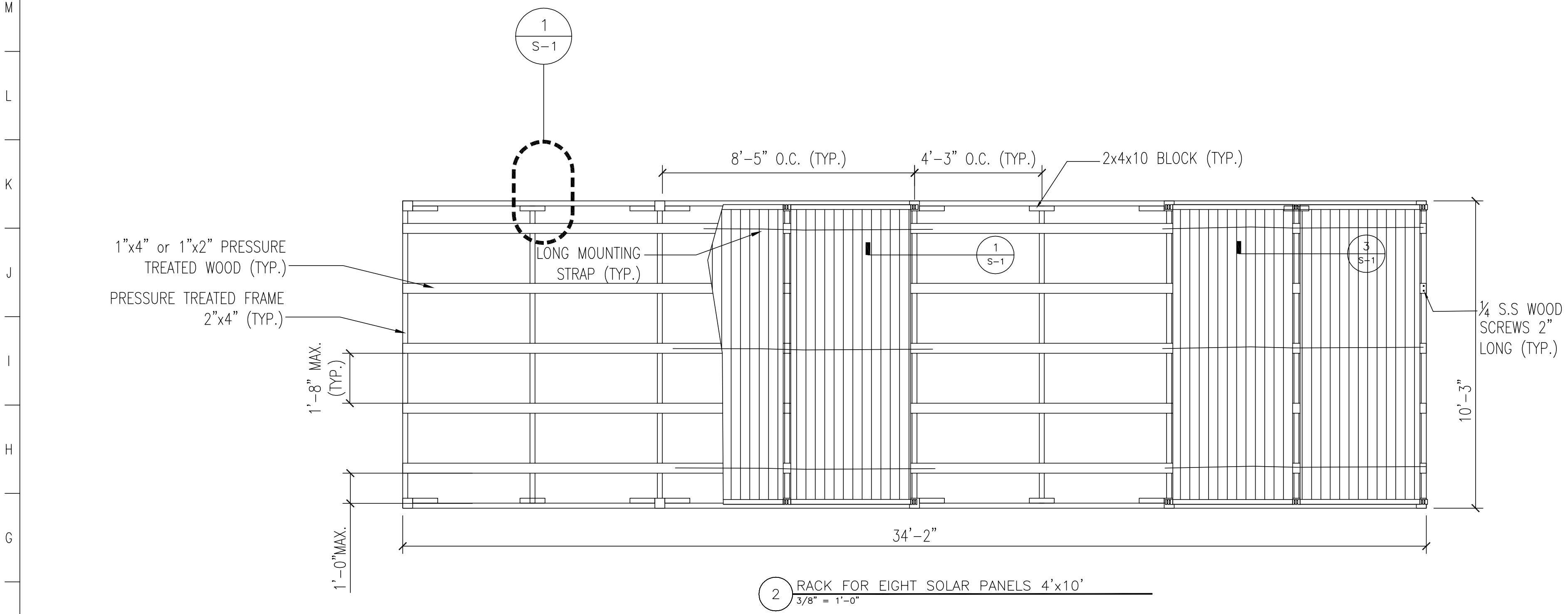
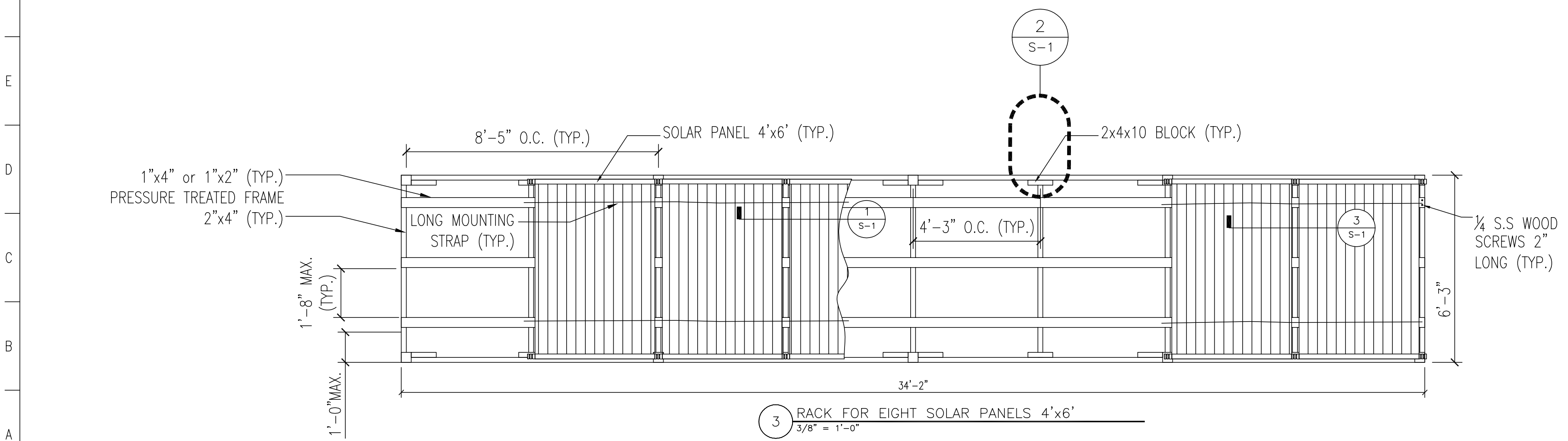


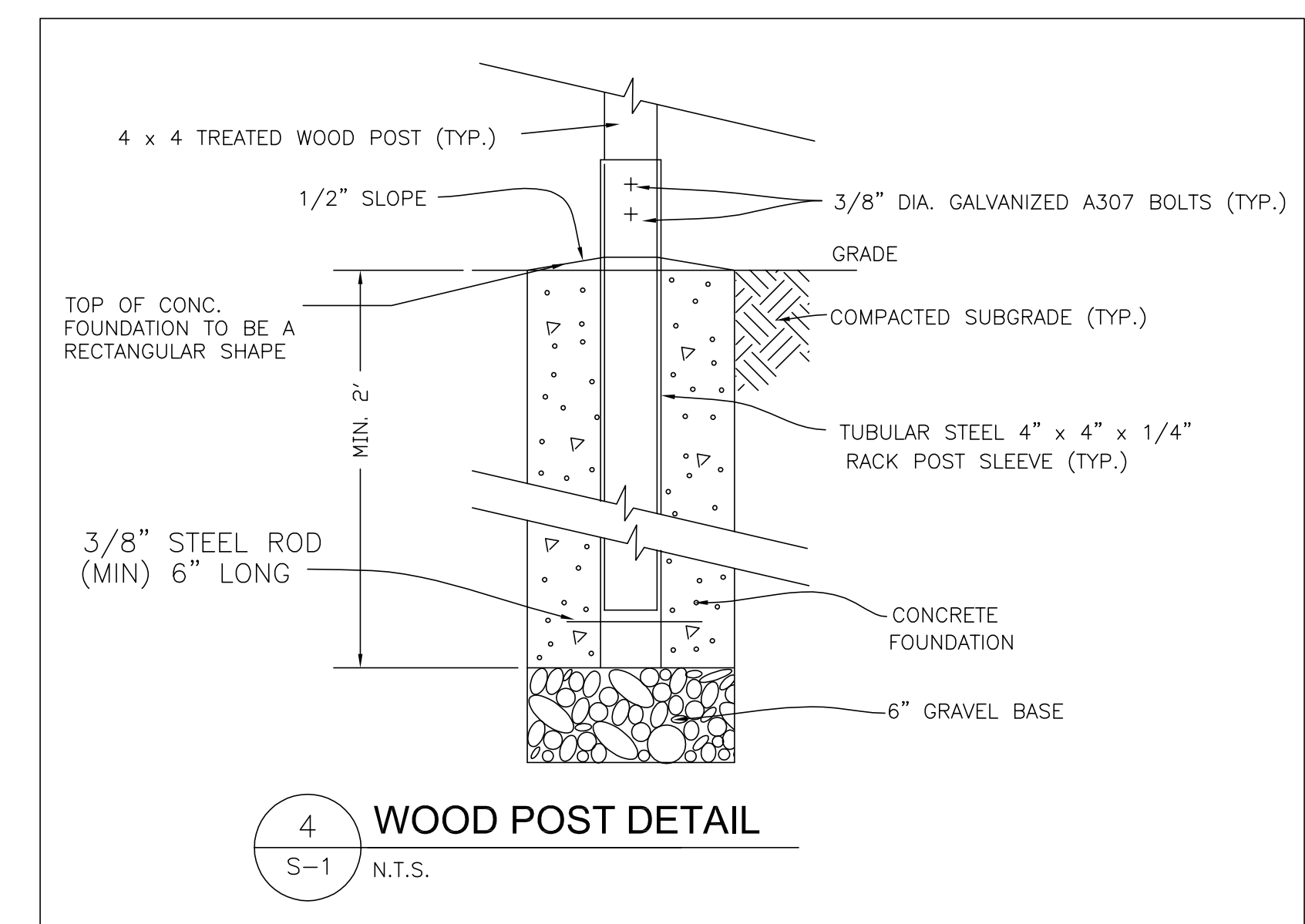
1 RACK FOR EIGHT SOLAR PANELS 4'x12'
3/8" = 1'-0"



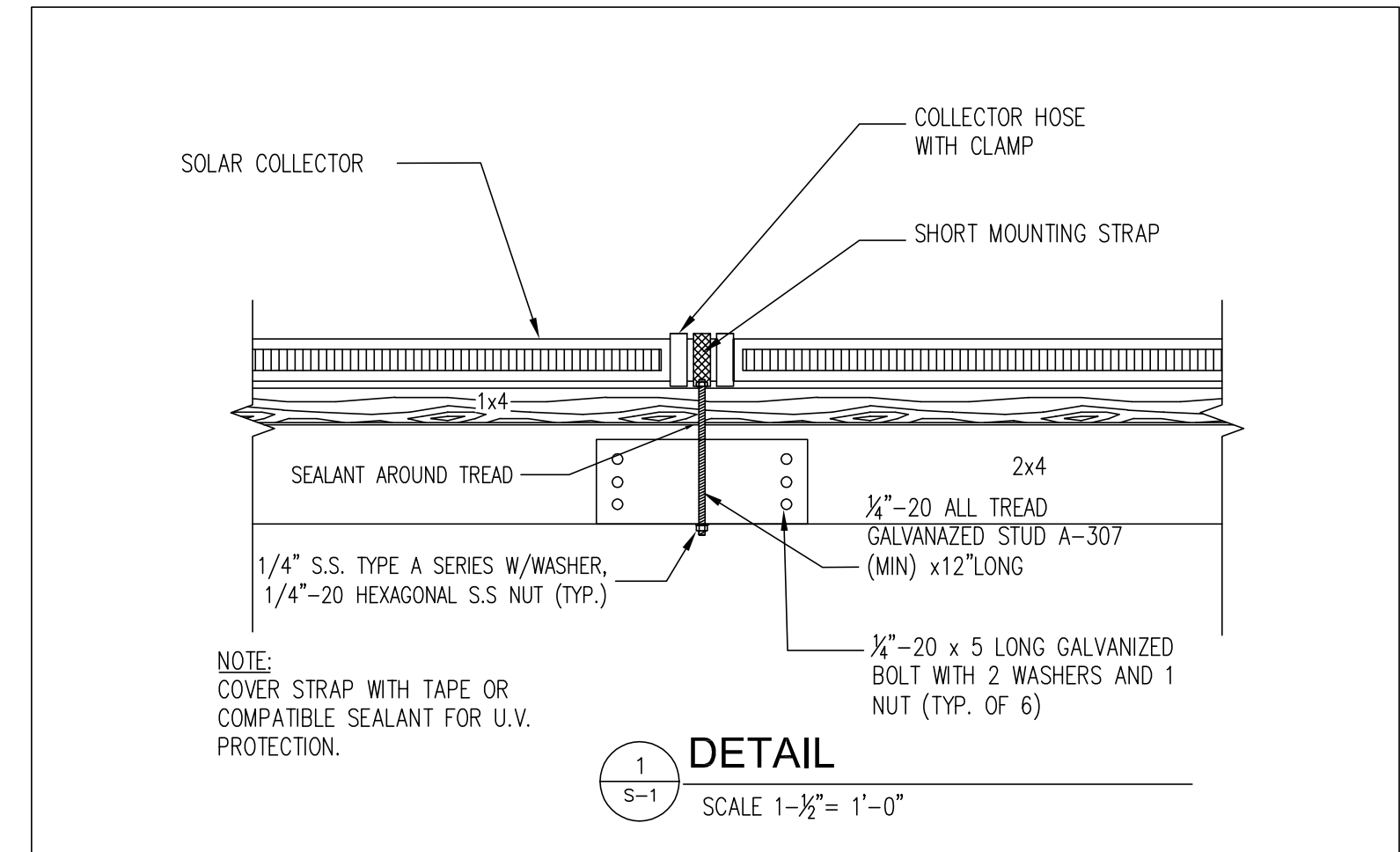
2 RACK FOR EIGHT SOLAR PANELS 4'x10'
3/8" = 1'-0"



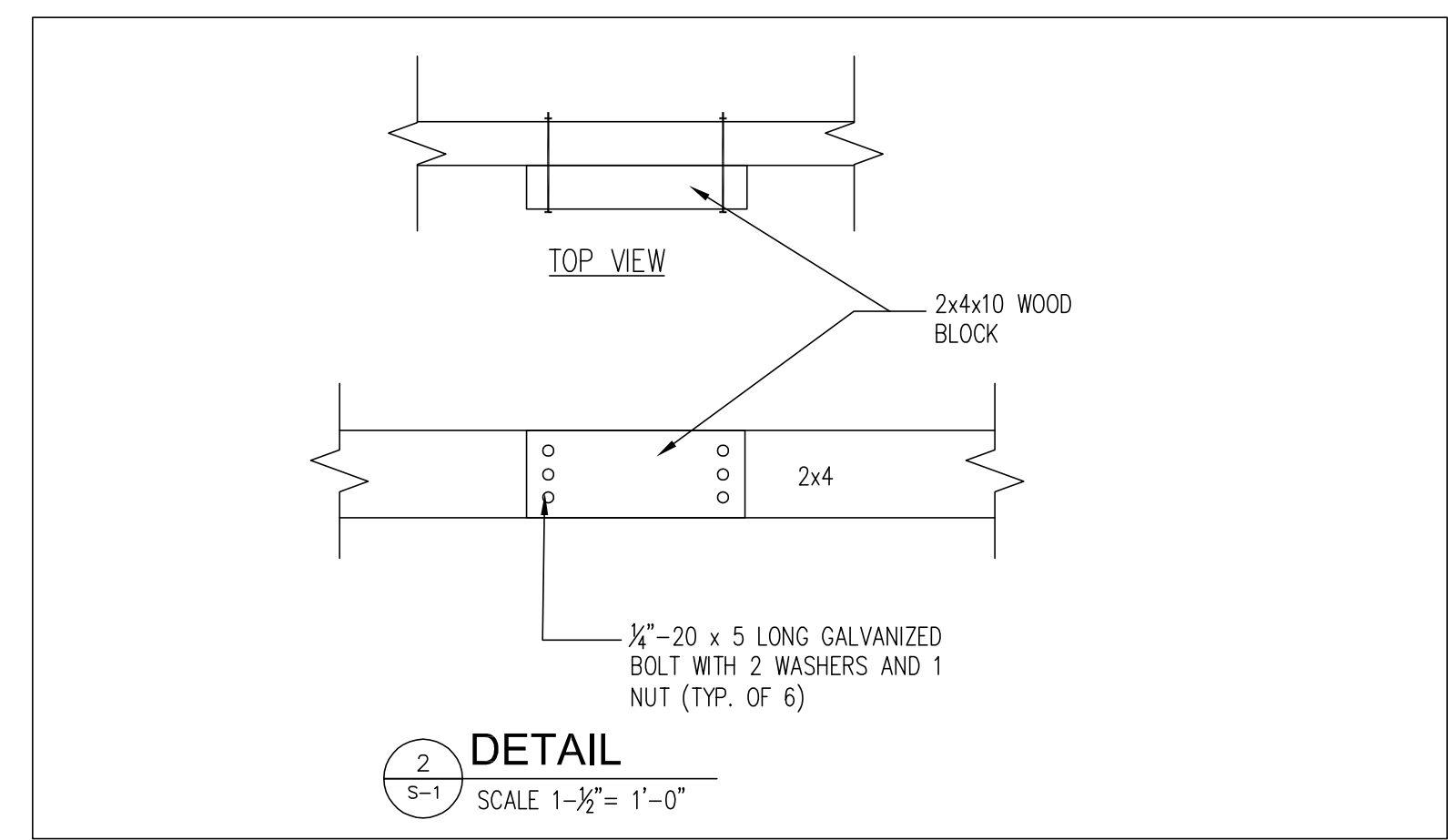
3 RACK FOR EIGHT SOLAR PANELS 4'x6'
3/8" = 1'-0"



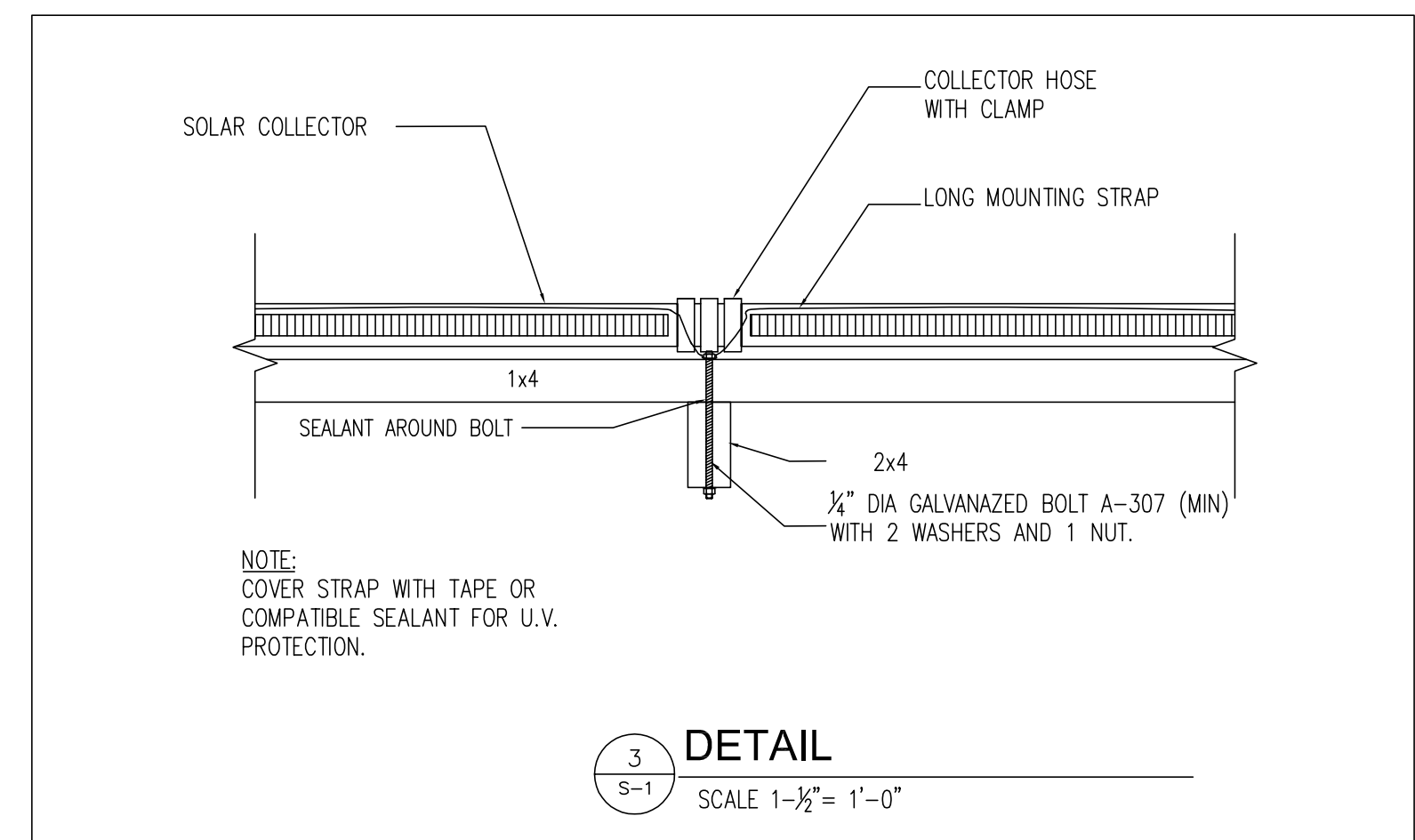
4 WOOD POST DETAIL
S-1 N.T.S.



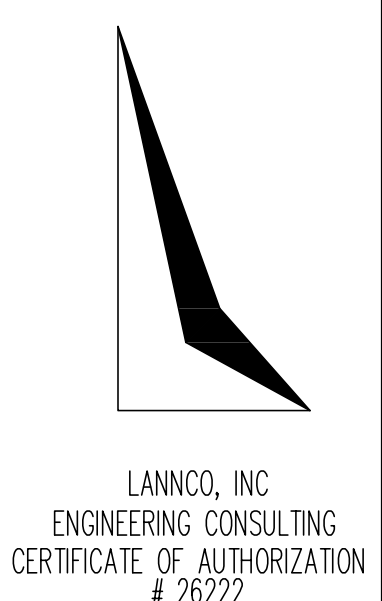
1 DETAIL
SCALE 1-1/2" = 1'-0"



2 DETAIL
SCALE 1-1/2" = 1'-0"



3 DETAIL
SCALE 1-1/2" = 1'-0"



LANCO, INC.
ENGINEERING CONSULTING
CERTIFICATE OF AUTHORIZATION
28222

P.O. BOX 41481
ST. PETERSBURG
FLORIDA 33743
(727) 345-8556

PROFESSIONAL SEAL

**TECHOSOLIS
STANDARD RACK DESIGN
FOR
SOLAR POOL COLLECTORS**

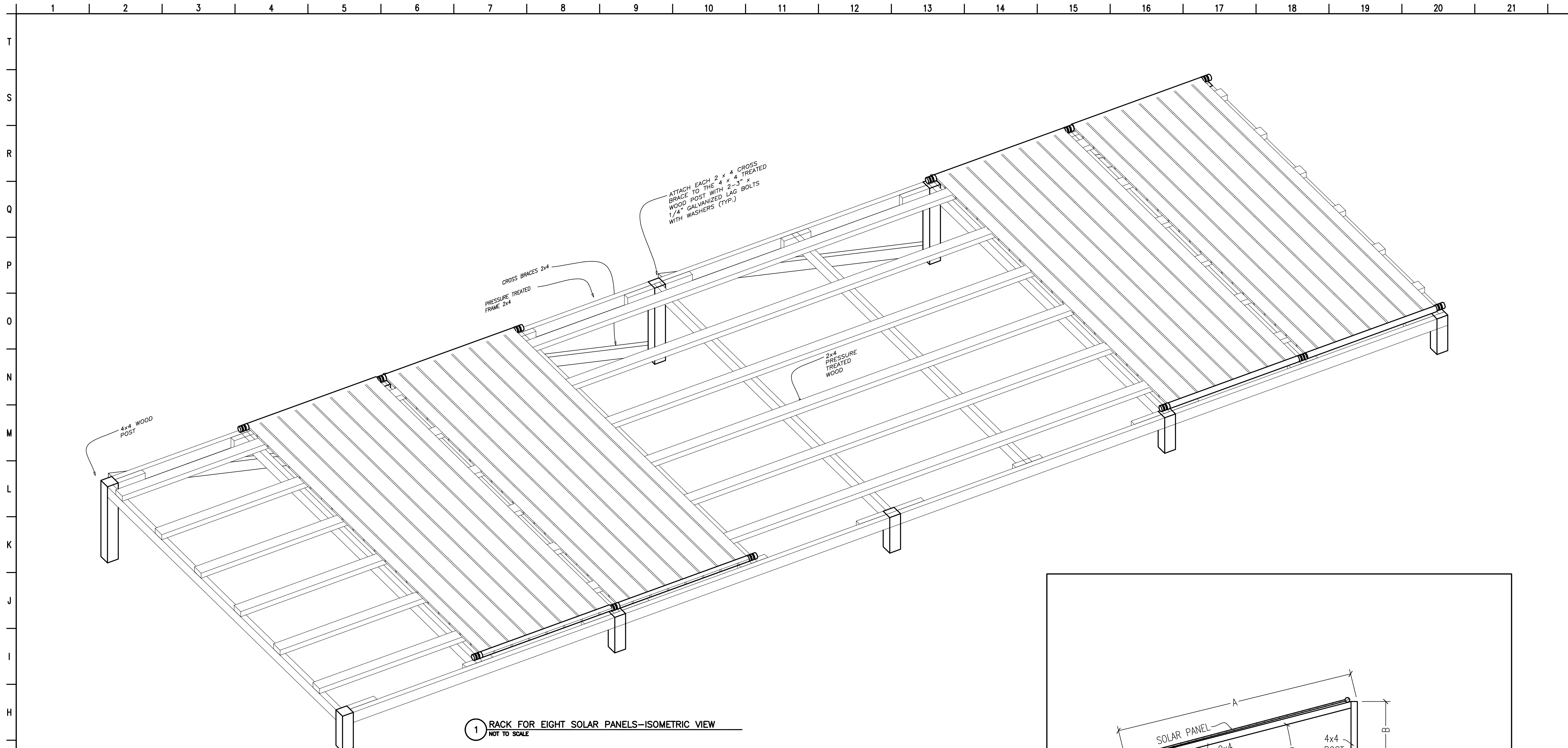
ALL INFORMATION, DESIGNS AND CONCEPTS CONTAINED IN THESE DOCUMENTS IS PROPERTY OF LANCO INC. MISREPRESENTING SUCH DOCUMENTS IS UNLAWFUL AND PUNISHABLE BY LAW. LANCO INC. DOES NOT ALLOW ANY AND ALL INDIVIDUALS TO FULLY OR PARTIALLY DUPLICATE, REPRODUCE, OR COPY BY MEANS OF PHOTOCOPYING, DIGITIZING, DIGITAL PROCESSES, OR ANY OTHER PROCESS WITHOUT THE WRITTEN REQUEST, PERMISSION, AND APPROVAL OF LANCO INC. LANCO INC. DOES NOT ALLOW ANY AND ALL INDIVIDUALS TO SHARE, TO EXCHANGE, OR TO DISTRIBUTE WITHOUT LANCO'S WRITTEN CONSENT, OR APPROVAL, THE FULL OR PARTIAL CONTENTS OF THE DOCUMENTS TO THIRD PARTIES FOR THE PURPOSE OF EXAMINING SUCH RECORDS, ISSUING CONSTRUCTION DOCUMENTS OR, BUT NOT LIMITED TO, ASSIGNING RESPONSIBLE CHARGE.

REVISIONS		
NO.	DATE	DESCRIPTION

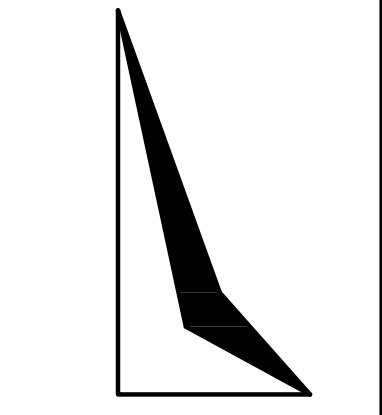
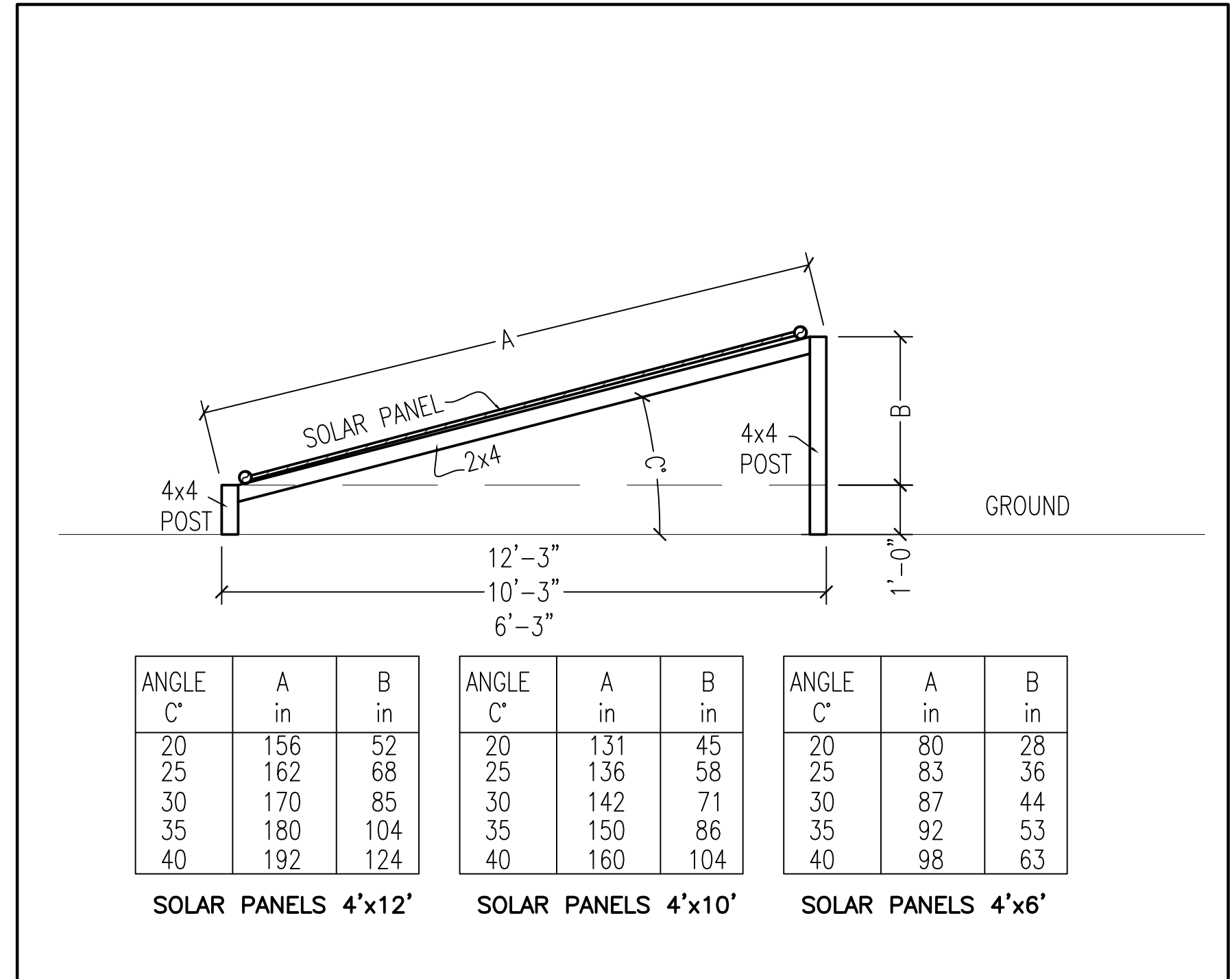
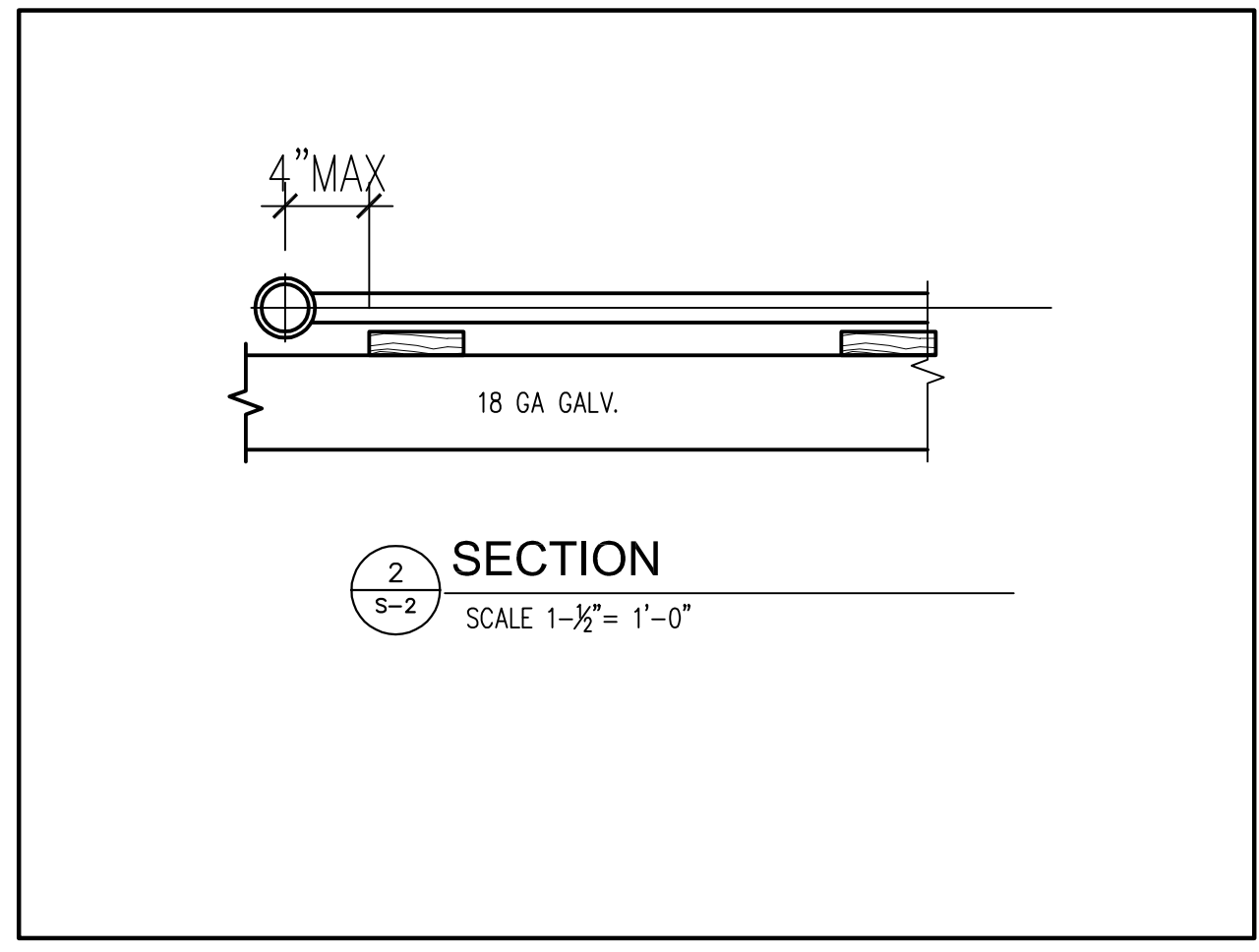
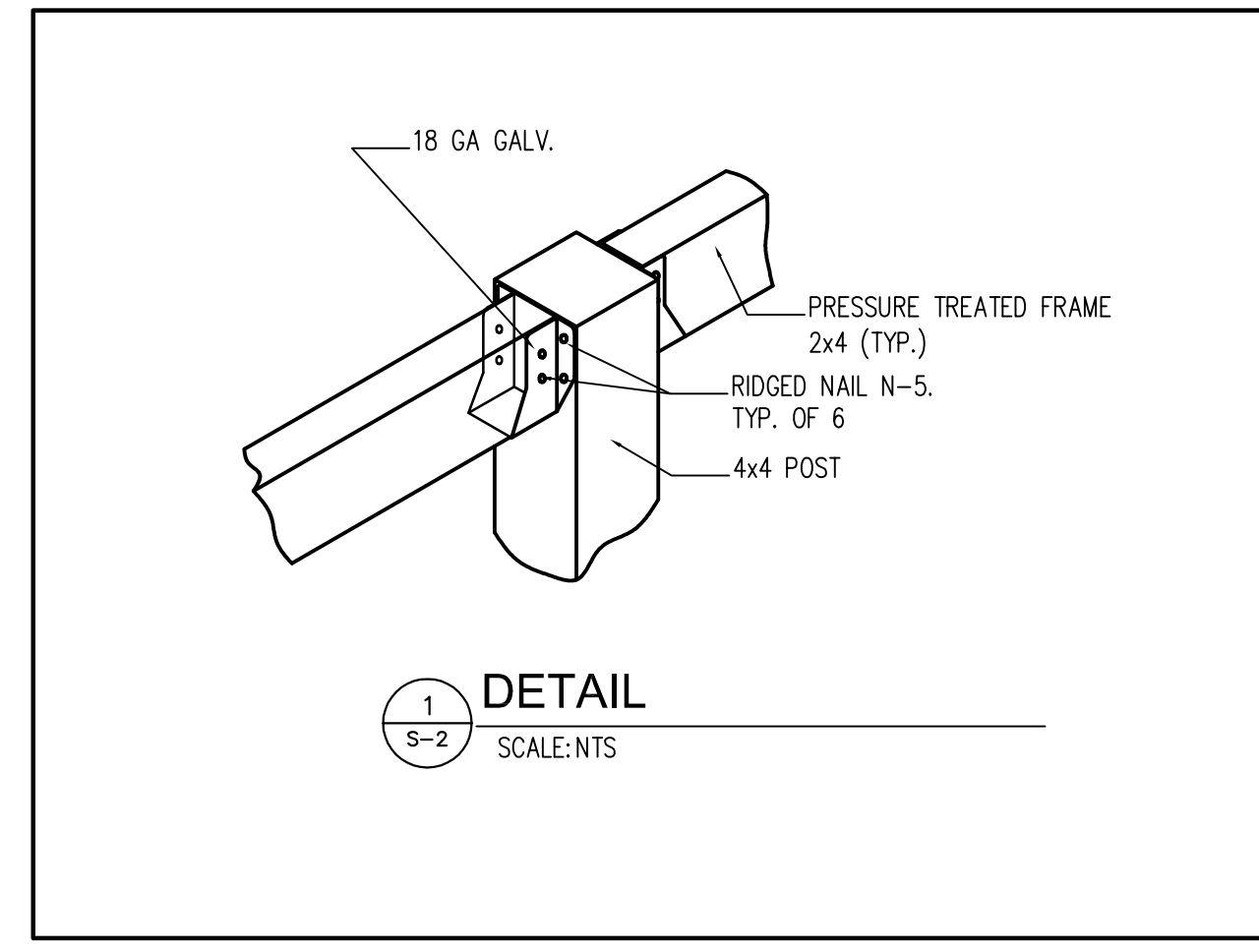
DRAWN BY: JOB NO.:
CHECKED BY: DATE: 04/18/06

SHEET NAME
RACK FOR SOLAR COLLECTORS

SHEET NUMBER
S-1



1 RACK FOR EIGHT SOLAR PANELS—ISOMETRIC VIEW
NOT TO SCALE



LANNCO, INC
ENGINEERING CONSULTING
CERTIFICATE OF AUTHORIZATION # 26222

P.O. BOX 41481
ST. PETERSBURG
FLORIDA 33743
(727) 345-8556

PROFESSIONAL SEAL

TECHOSOLIS
STANDARD RACK DESIGN
FOR
SOLAR POOL COLLECTORS

ALL INFORMATION, DESIGNS AND CONCEPTS CONTAINED IN THESE DOCUMENTS IS PROPERTY OF LANNCO INC. NO PARTS OF THESE DOCUMENTS IS TO BE REPRODUCED, COPIED, OR TRANSMITTED IN ANY FORM OR BY ANY MEANS, ELECTRONIC OR MECHANICAL, INCLUDING PHOTOCOPYING, RECORDING, OR BY ANY INFORMATION STORAGE AND RETRIEVAL SYSTEM, WITHOUT THE WRITTEN PERMISSION OF LANNCO INC. LANNCO INC. DOES NOT ALLOW ANY AND ALL INDIVIDUALS TO MAKE, TO EXCHANGE, OR TO OTHERWISE REPRODUCE THESE DOCUMENTS TO THIRD PARTIES FOR THE PURPOSE OF OBTAINING SUCH REVENUE, WITHOUT THE WRITTEN PERMISSION OF LANNCO INC. LANNCO INC. DOES NOT ALLOW ANY AND ALL INDIVIDUALS TO MAKE, TO EXCHANGE, OR TO OTHERWISE REPRODUCE THESE DOCUMENTS TO THIRD PARTIES FOR THE PURPOSE OF OBTAINING SUCH REVENUE, WITHOUT THE WRITTEN PERMISSION OF LANNCO INC. LANNCO INC. DOES NOT ALLOW ANY AND ALL INDIVIDUALS TO MAKE, TO EXCHANGE, OR TO OTHERWISE REPRODUCE THESE DOCUMENTS TO THIRD PARTIES FOR THE PURPOSE OF OBTAINING SUCH REVENUE, WITHOUT THE WRITTEN PERMISSION OF LANNCO INC.

REVISIONS

NO.	DATE	DESCRIPTION

DRAWN BY: _____ JOB NO.: _____
CHECKED BY: _____ DATE: 04/18/06

SCALE: _____

SHEET NAME
RACK FOR SOLAR COLLECTORS

SHEET NUMBER
S-2