

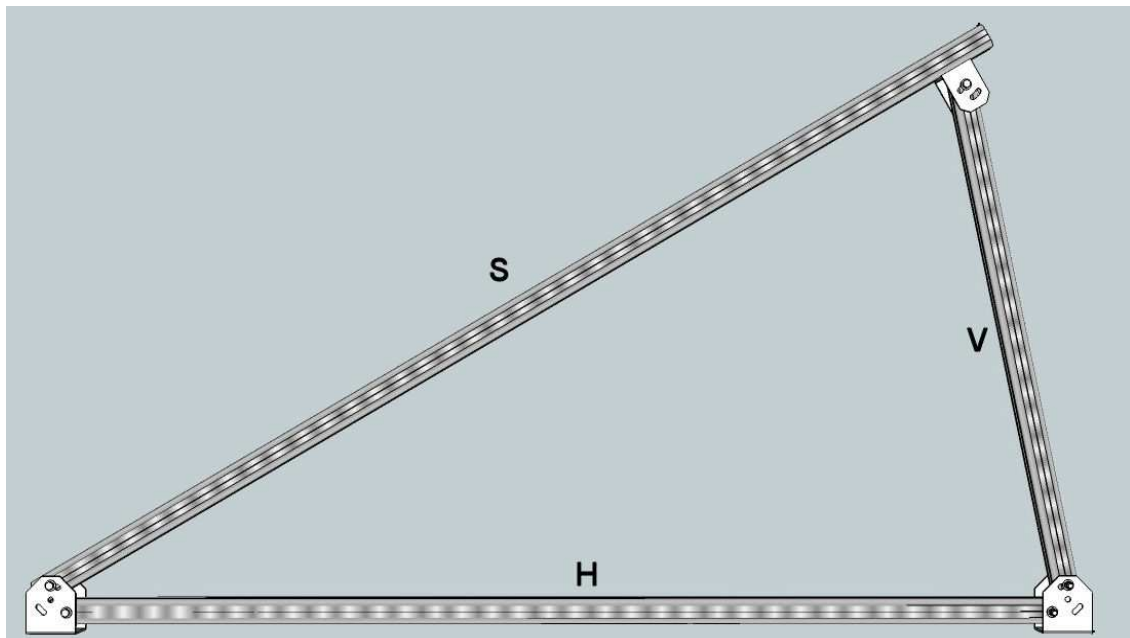


Triangle Assembly

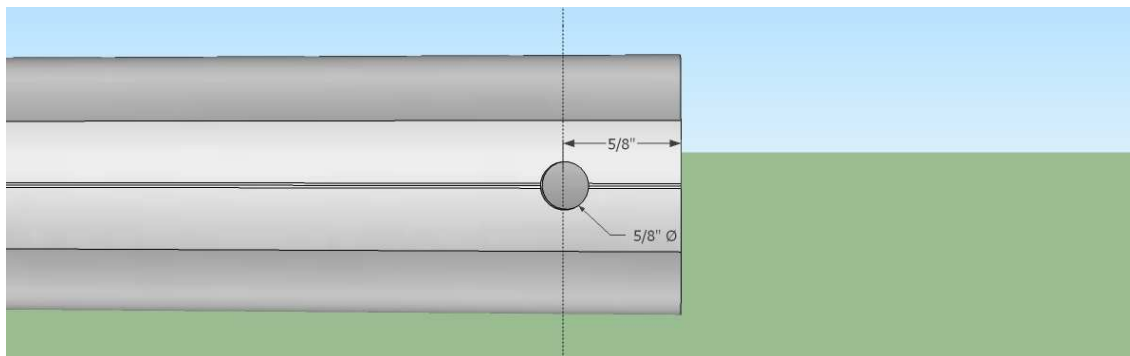
Produced by



1. Gather all Eagle Rail included in the EagleRac package labeled “S” (Slope), “H” (Horizontal), and “V” Vertical. Make sure all required hardware are complete in the package.
2. There should four different lengths. Set the longest pieces aside as they will be used to create the base for the triangles.



3. All rails should have a $7/16$ " diameter thru holes, $5/8$ " from the ends and are perpendicular to the channels. If the holes are not predrilled, use $7/16$ " high speed steel drill bit to make the holes.



Triangle Assembly

Parts Required:

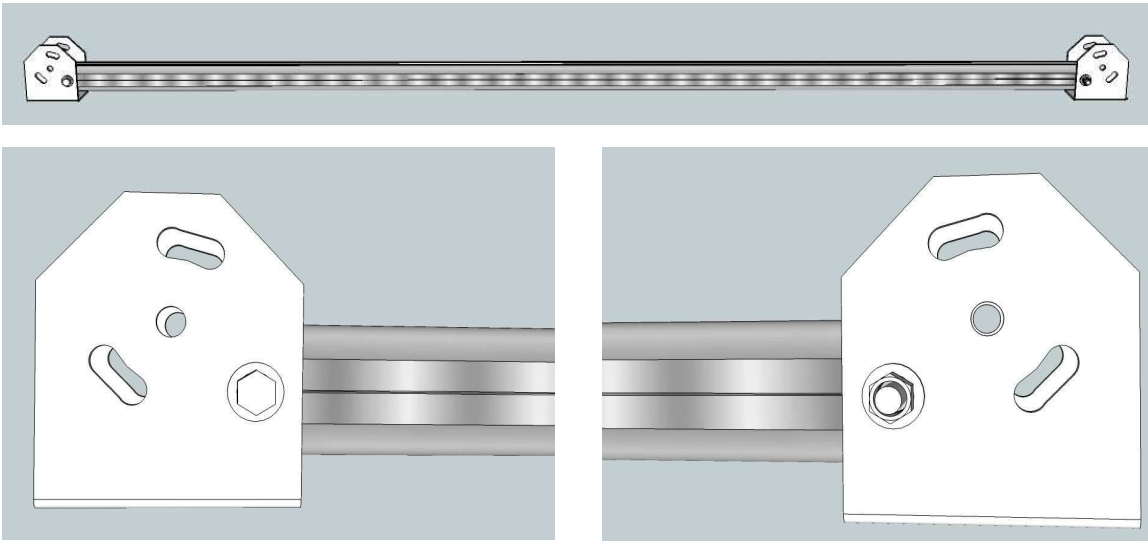
- (2) M103 – Eagle Rac Mount Foot
- (1) M104 – Eagle Rac Mount Clip
- (5) M510 – SS Hex Bolts 2-1/2” Length
- (1) M503 – SS Hex Bolt 3/4” Length
- (6) M501 – 3/8” SS Lock Washer
- (6) M509 – 3/8”-16 SS Nut

(NOTE: Use lock washer on all nut connections)

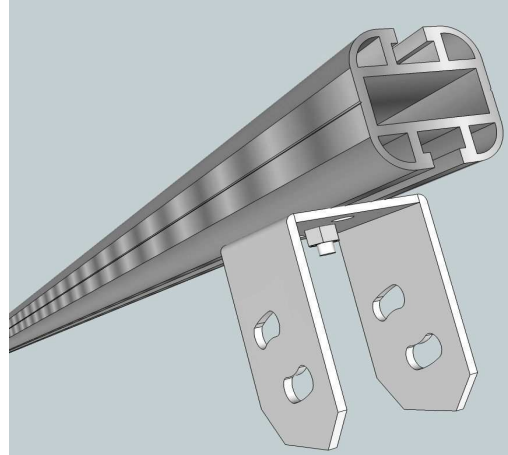
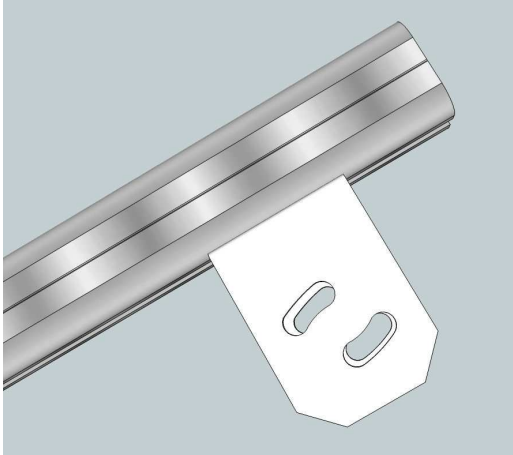
Tools Required:

9/16” wrench and/or socket

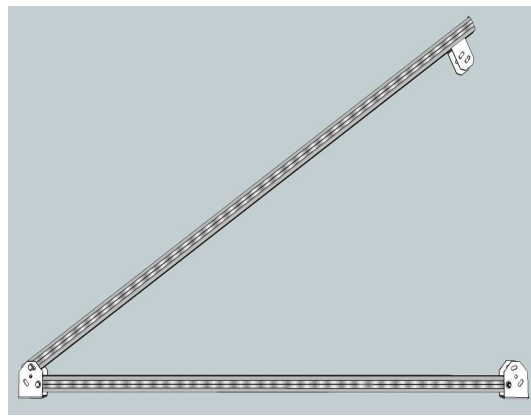
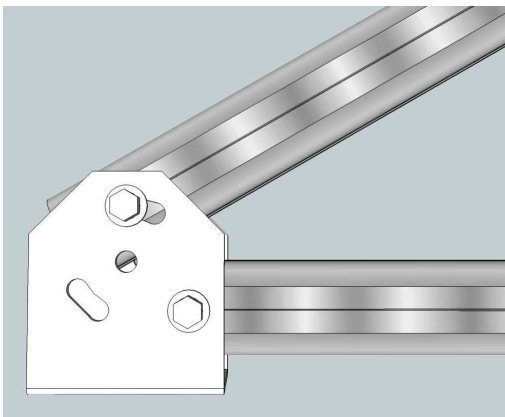
4. Attach (2) M103 (Mount Feet) to both ends of the Eagle Rail labeled “H” using (1) M510 on each end as shown below.



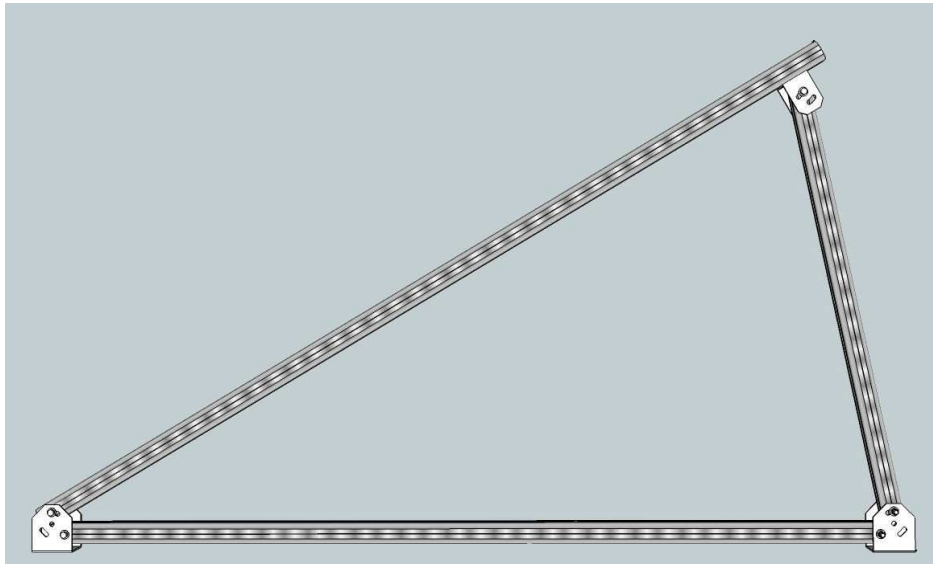
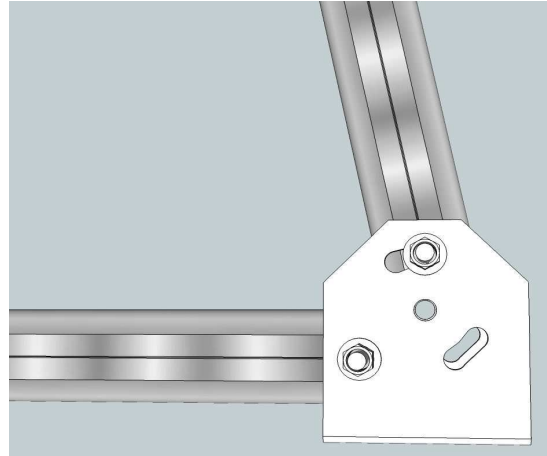
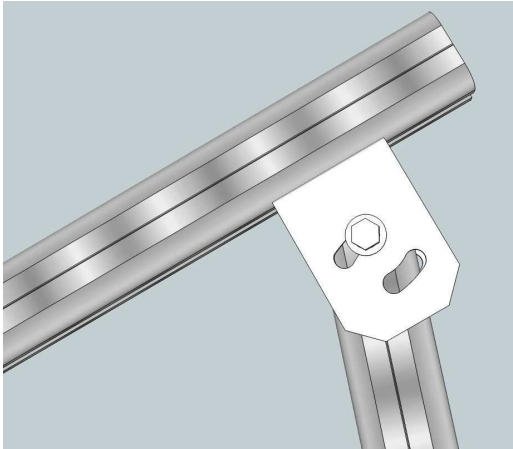
5. Attach M104 (Eagle Rac Mount Clip) to one end of Eagle Rail labeled "S" (slope) by sliding (1) M503 into the channel approximately 3" from the end as shown below.



6. Attach Eagle Rail labeled "S" to one end of Rail "H" with (1) M510 as shown below.



7. Attach Eagle Rail labeled “V” (vertical) to the ends of rail “S” and “H” using (2) M510 through the slots shown below to complete the triangle.



Completed Triangle Assembly

Available EagleRac Manuals

(Available upon request)

- EagleRac Parts List
- EagleRac Triangle Assembly
- EagleRac Splice
- EagleRac Collector Installation
- EagleRac Metal Seam Roof Installation
- EagleRac Base Mounting Options