



**Splice Manual**

Produced by

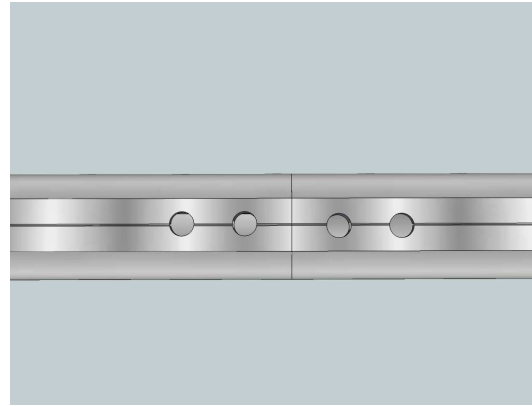
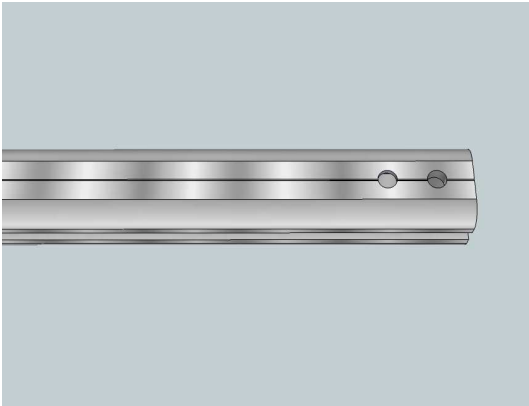


# EagleRac Splice Manual

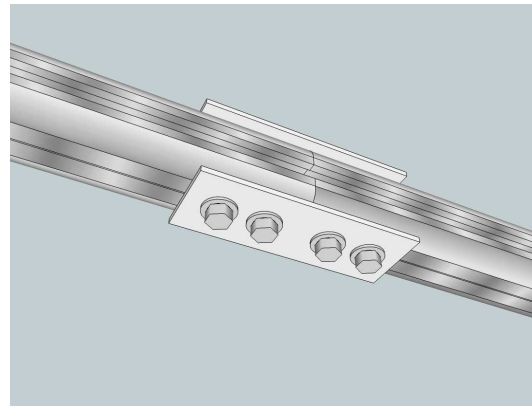
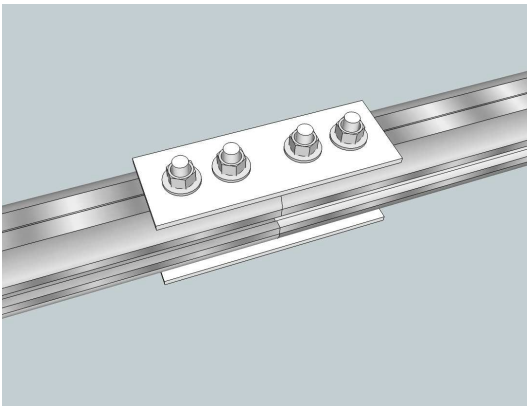
1. Gather all Eagle Rail and parts required for splicing: (Quantity per splice)

- Eagle Rail
- (2) M108 – Splice Plate
- (4) M510 – 2.5” SS Hex Bolt
- (4) M509 – 3/8”-16 SS Nut
- (4) M501/M38STRW – 3/8” SS Lock Washer or Star Washer

2. Take two Eagle Rails with two predrilled holes perpendicular to the channels. Butt ends with predrilled holes together.



3. Place M510 bolts through M108 on top and below the Eagle Rail and secure with M501/M38STRW and M509 to complete the assembly as shown below.



## **Available EagleRac Manuals**

(Available upon request)

- EagleRac Parts List
- EagleRac Triangle Assembly
- EagleRac Splice
- EagleRac Collector Installation
- EagleRac Metal Seam Roof Installation
- EagleRac Base Mounting Options