



Metal Seam Roof EagleRac Installation Manual
(S-5! Clamp Application)

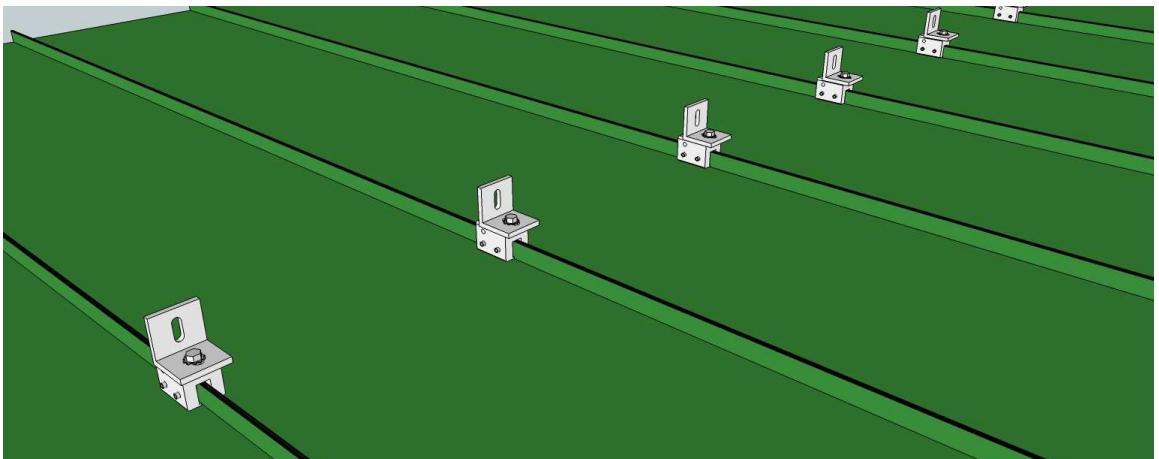
Produced by



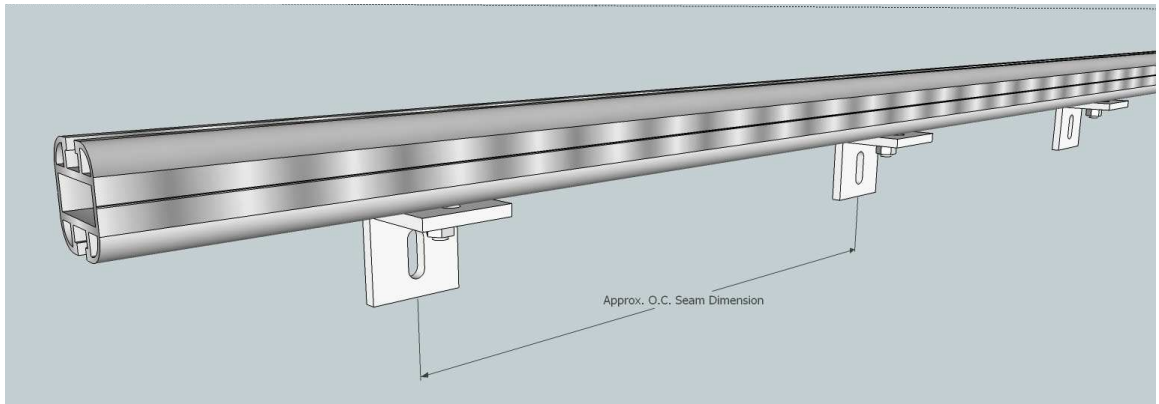
1. Gather all Eagle Rail included in the EagleRac package. Verify that Eagle Rail and hardware quantity and lengths are correct prior to rack assembly.
2. Attach S-5! Clamps as per manufacturer's instructions to standing seam.



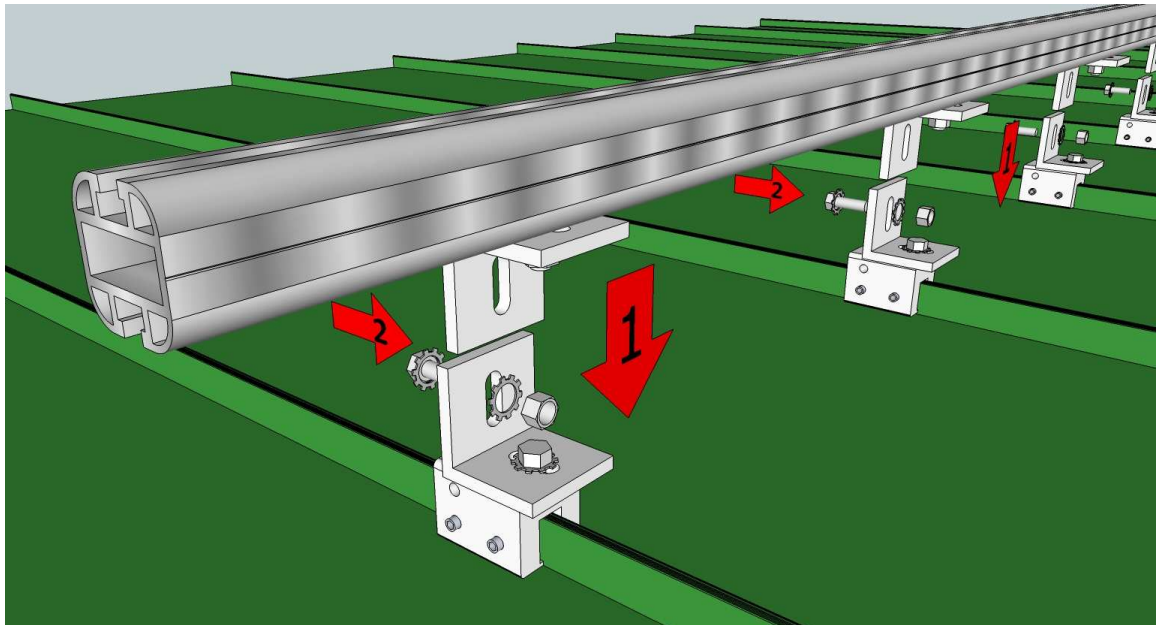
3. Using bolts supplied by S-5! Clamp manufacturer, attach slotted aluminum angle(PVR-FLA2X2) as shown.

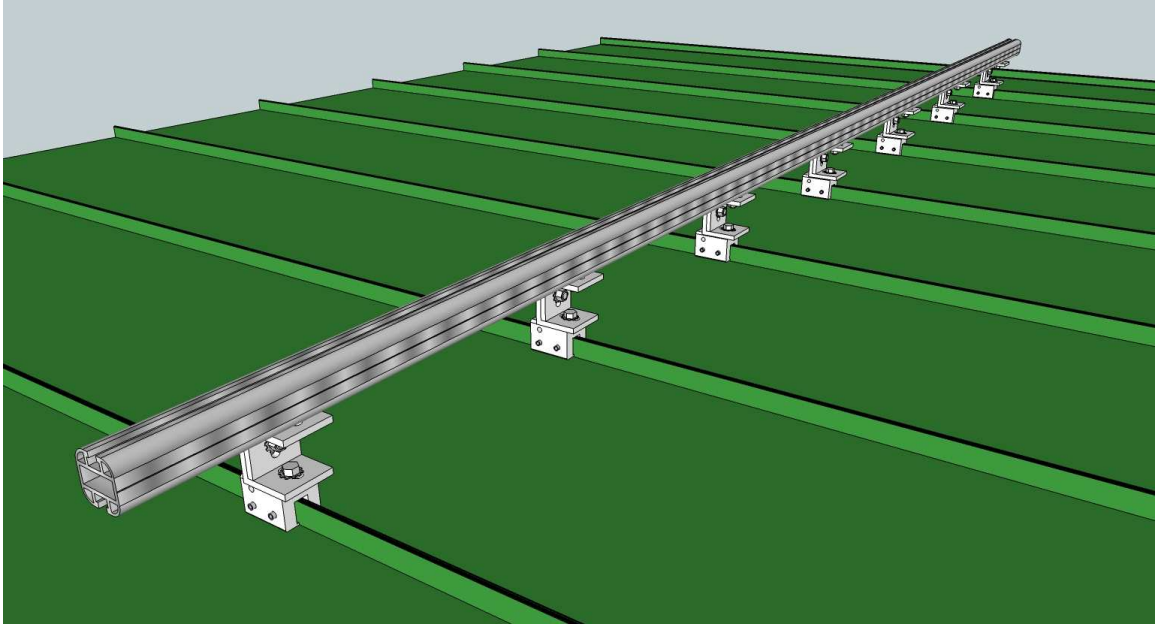


- Determine approximate On Center spacing of metal seams and slide bolts in EagleRail channels according to spacing. Attach slotted aluminum angles(PVR-FLAL2X2) as shown below.



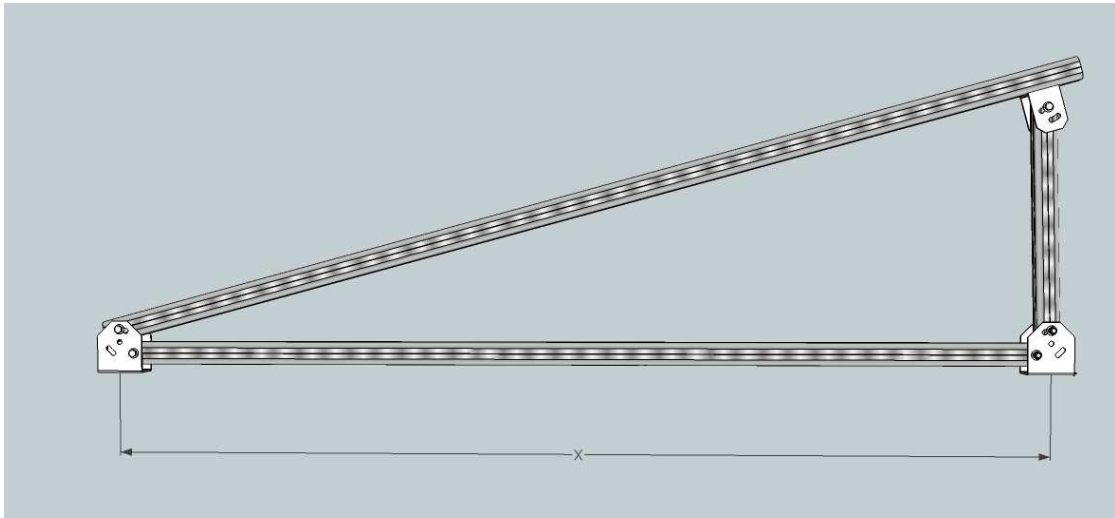
- Attach rail assembly to S-5! Assembly using 1" bolt(M505), hex nut(M509), and two starwashers(M38STRW) per attachment.





(Completed Assembly)

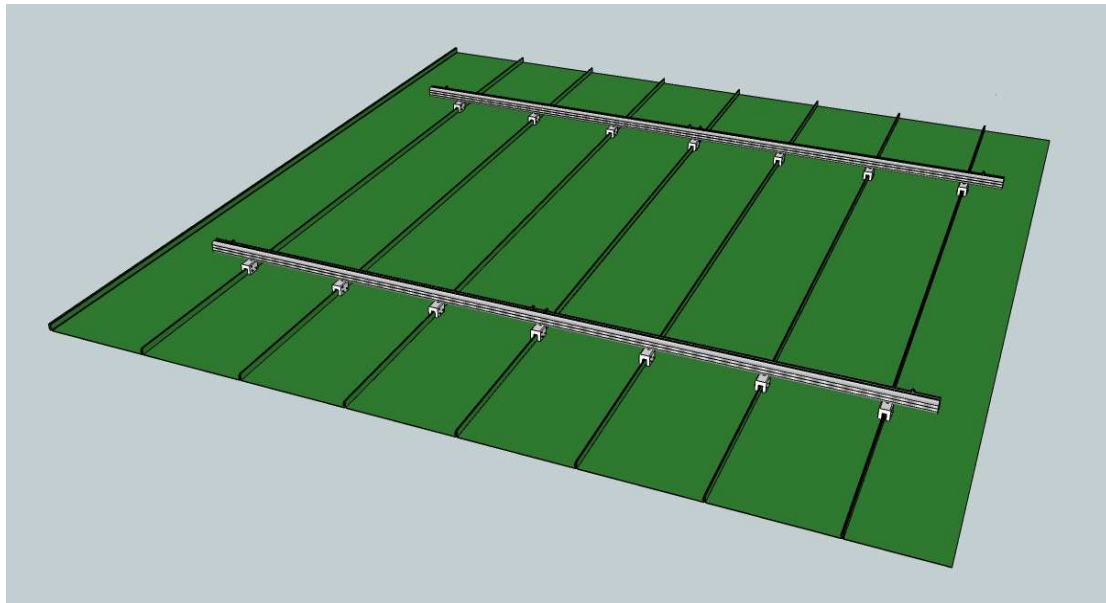
6. (a. With Tilt) Next, measure the distance between mount feet holes on the triangles. To determine the distance required between rails.



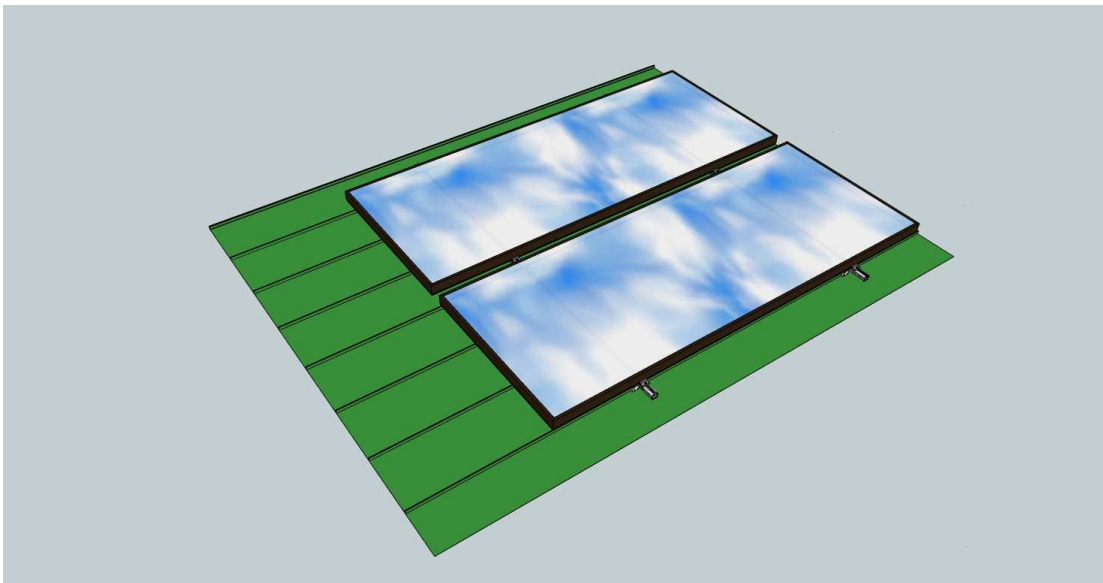
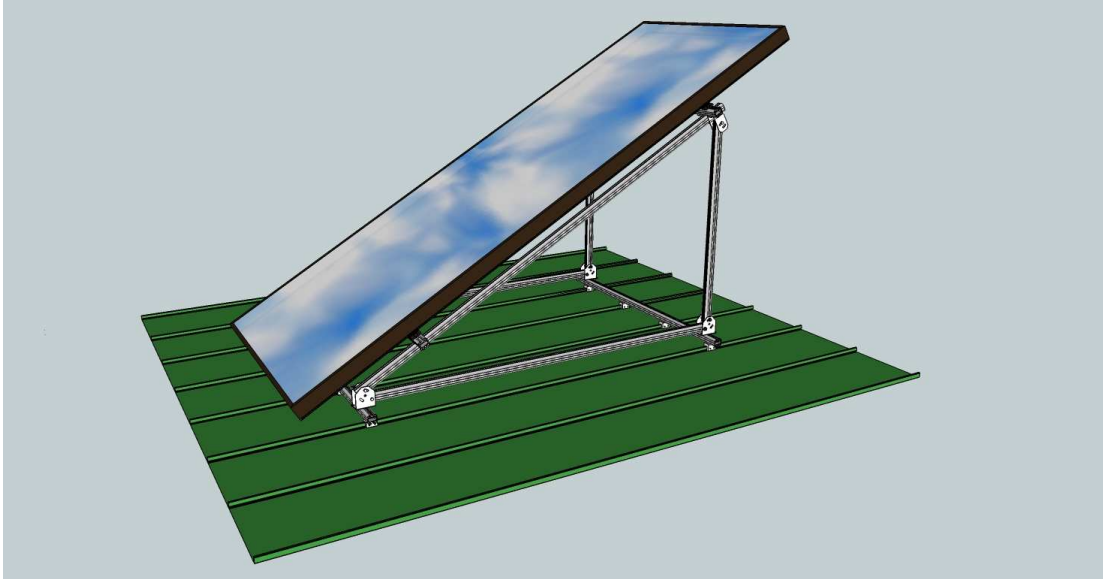
6. (b. Flush) Next, Measure the distance between Rack Mount Clips (not to exceed the L/5 rule) to determine the distance between rails.



7. Repeat steps 2 through 5 to create the second row of Eagle Rail.



8. Attach triangles for tilt mounting or collectors for flush mounting as shown below.



Available EagleRac Manuals

(Available upon request)

- EagleRac Parts List
- EagleRac Triangle Assembly
- EagleRac Splice
- EagleRac Collector Installation
- EagleRac Metal Seam Roof Installation
- EagleRac Base Mounting Options