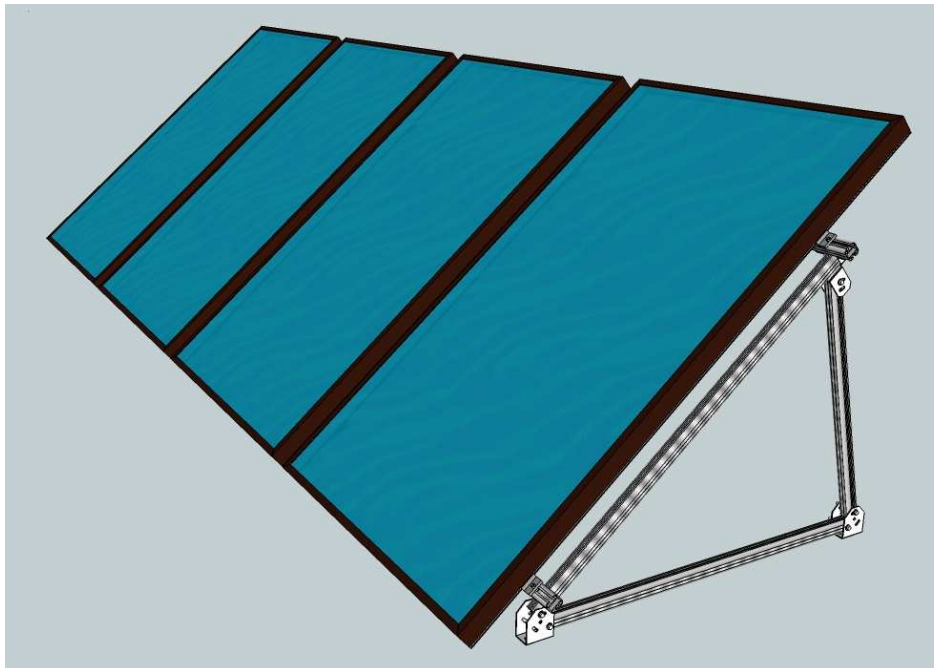




## EagleRac – Collector Installation

Produced by



Parts Required:

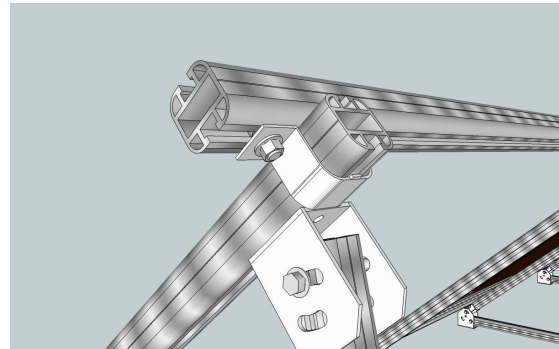
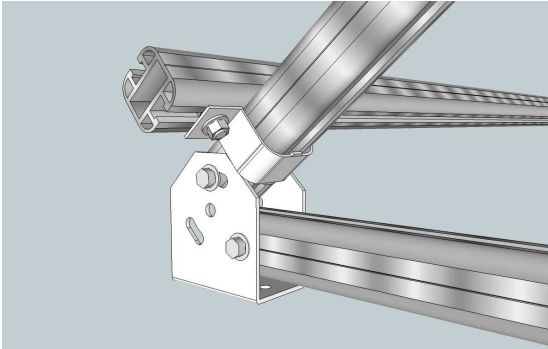
M106 – EagleRac U Bracket

M505 – SS Hex Bolts 1" Length

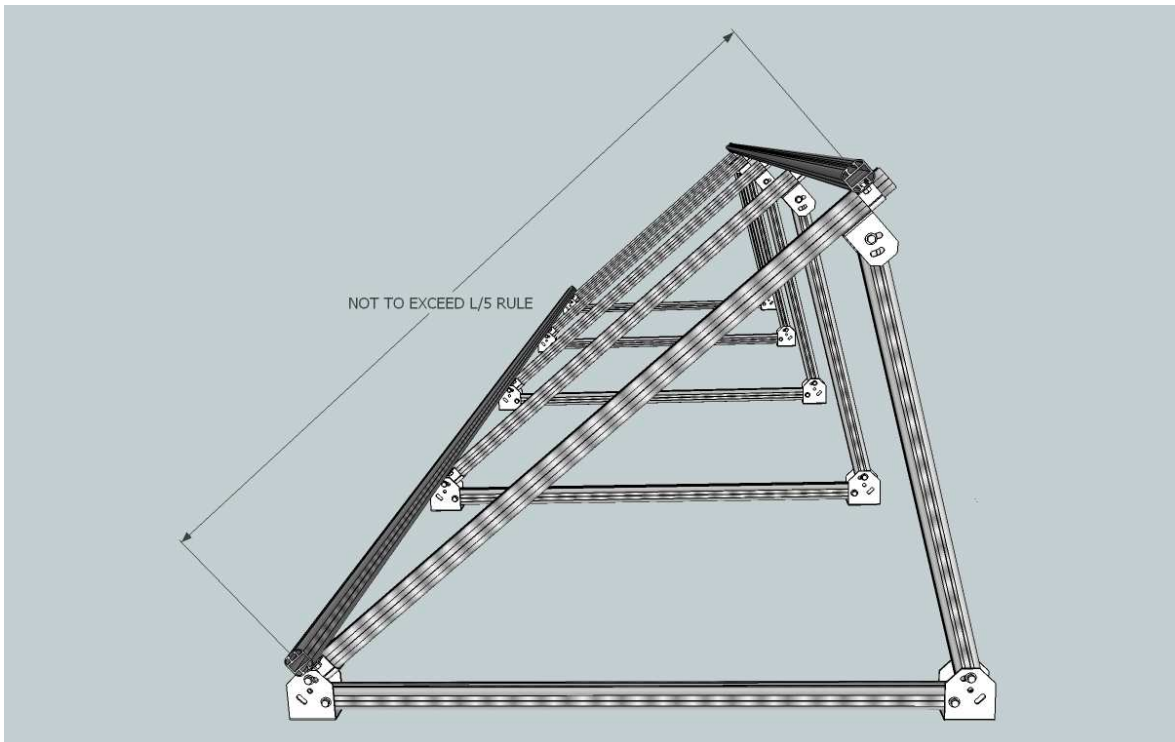
AE-RM/MSC-FRM – AET/MSC Collector Rack Mount Clips

M509 – 3/8"-16 SS Nut

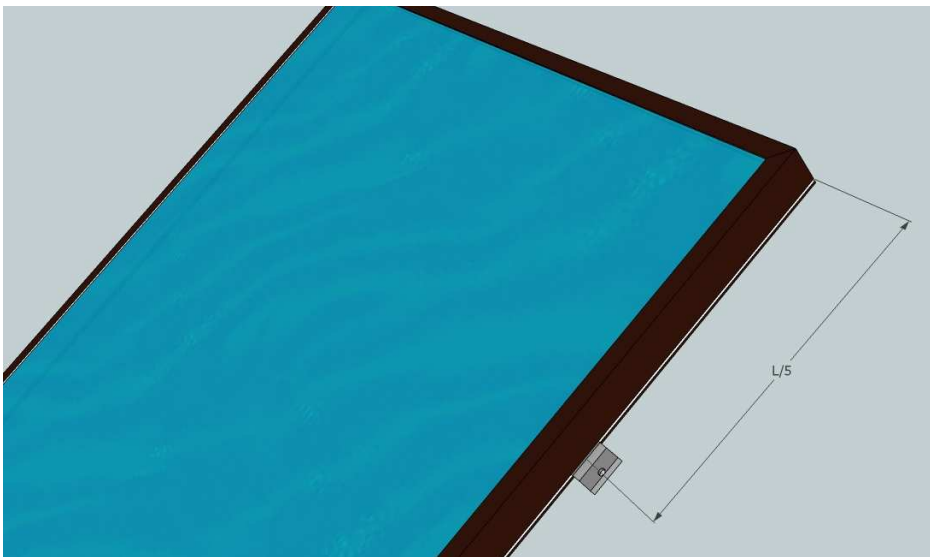
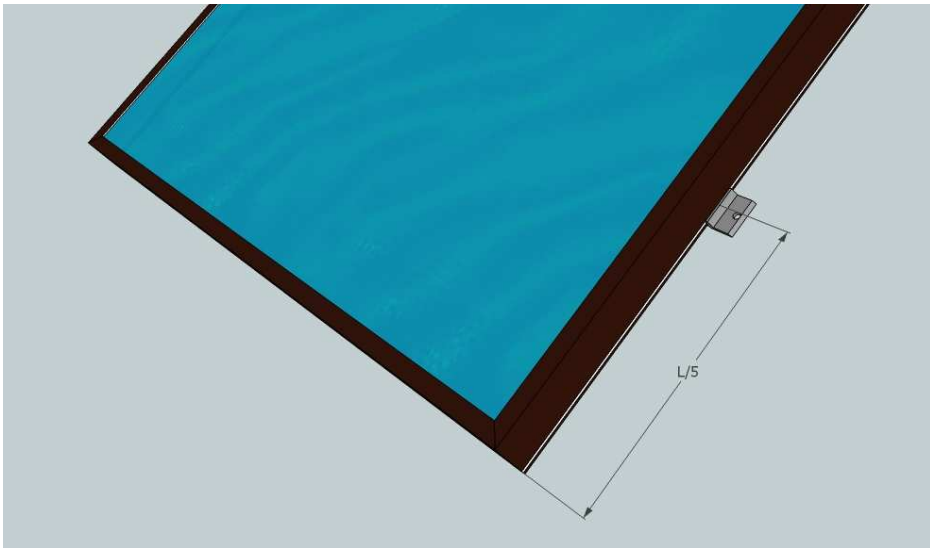
1. Using M106, slide M505 into rail and attach to preassembled triangles as shown below. (Triangles not to exceed 6' O.C. spacing)



When attaching rails to triangle, be sure the on center spacing of the rails does not exceed the required L/5 rule (Collector length divided by 5 is the distance of the rack mounts from the top and bottom of collectors) of the collectors.

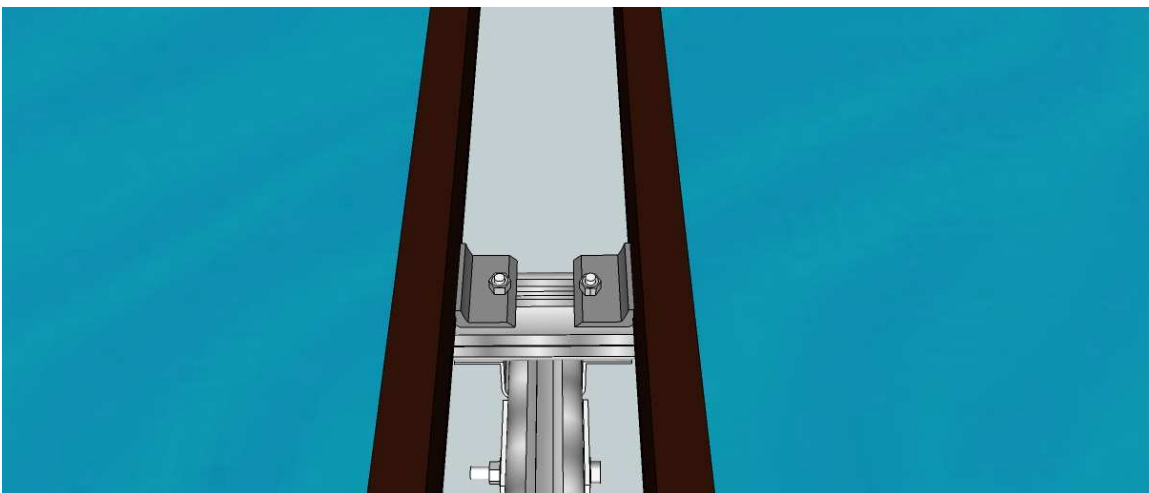
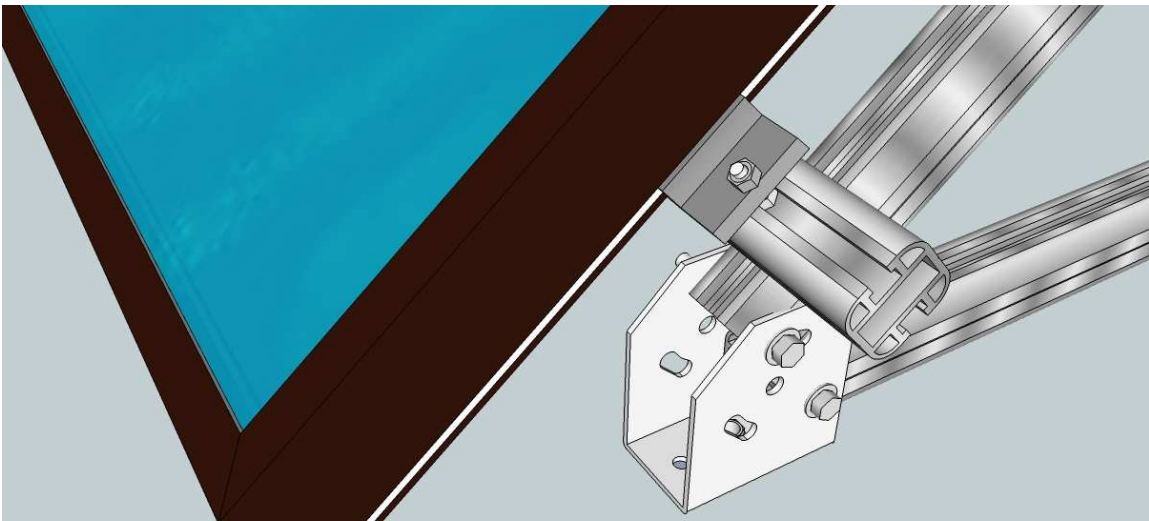
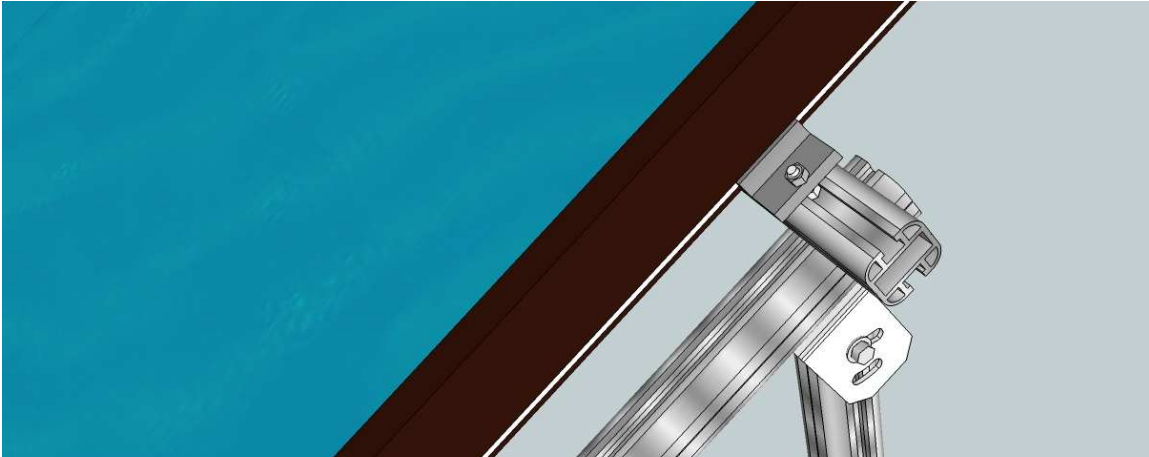


2. Attach AE-RM/MSC-FRM to collector using the L/5 rule. (See table below for L/5 distance)



<b>COLLECTOR</b>	<b>DISTANCE OF CENTER OF MOUNT FROM TOP AND BOTTOM OF COLLECTOR (L/5)</b>
AE/MSC-40	2' 0"
AE/MSC-32	1' 7-1/4"
AE/MSC-28	1' 4-3/4"
AE/MSC-26	1' 3-5/8"
AE/MSC-24	1' 7-1/4"
AE/MSC-21	1' 4-3/4"

3. Slide M505 bolts in horizontal rails and attach the collectors using M509 as shown below.



## **Available EagleRac Manuals**

(Available upon request)

- EagleRac Parts List
- EagleRac Triangle Assembly
- EagleRac Splice
- EagleRac Collector Installation
- EagleRac Metal Seam Roof Installation
- EagleRac Base Mounting Options