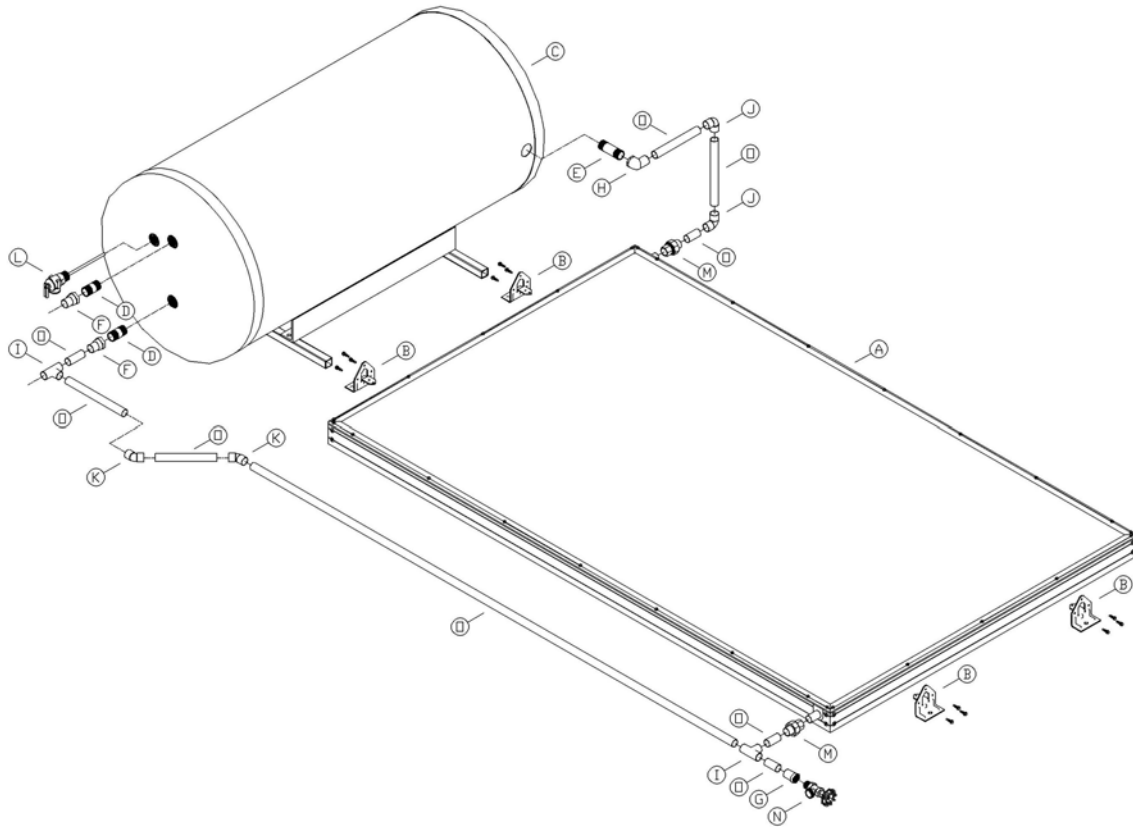


PART KITS (GL) - INSTALLATION INSTRUCTIONS

Mounting and Connection Kits

There are two parts kits supplied with your Thermosiphon system. A mounting kit containing four flush-mount, mounting clips with stainless steel locking bolts and a connection kit containing the parts required to plumb the system. The mounting kit does not include the fasteners required to secure the system to the roof structure. With the exception of the copper tube the connection kit contains all of the plumbing components required to connect the solar collector to the roof mounted, water heater storage tank.

Typical Assembly Diagram



THERMOSIPHON SYSTEM · COMPONENT LEGEND		
ITEM	DESCRIPTION	QTY
A	Solar Collector(s)	1 2
B	Mount Clips w/Self-Tapping Fasteners	4 8
C	Thermosiphon Tank (shown w/flush tank mount bracket)	1
D	3/4" X 2" Red Brass Nipple	2
E	3/4" X 3" Red Brass Nipple	1
F	3/4" Copper Female Adapter • C x FIP	2
G	Copper Female Adapter • 3/4" C x 1/2" FIP	1
H	3/4" Bronze Female 90° Elbow • C x FIP	1
I	3/4" Copper Tee • C x C x C	2
J	3/4" Copper Short 90° Elbow • C x C	2
K	3/4" Copper 45° Elbow • C x C	2
L	T&P Relief Valve, Long Stem	1
M	3/4" Copper Union • C x C	2 4
N	1/2" Boiler Drain Valve	1
O	3/4" Copper Tube (various lengths – not included)	9