

CERTIFIED SOLAR SYSTEM



SOLAR RATING & CERTIFICATION CORPORATION

SUPPLIER:
Alternate Energy Technologies
 1345 Energy Cove Court
 Green Cove Springs, FL 32043 USA
 www.aetsolar.com

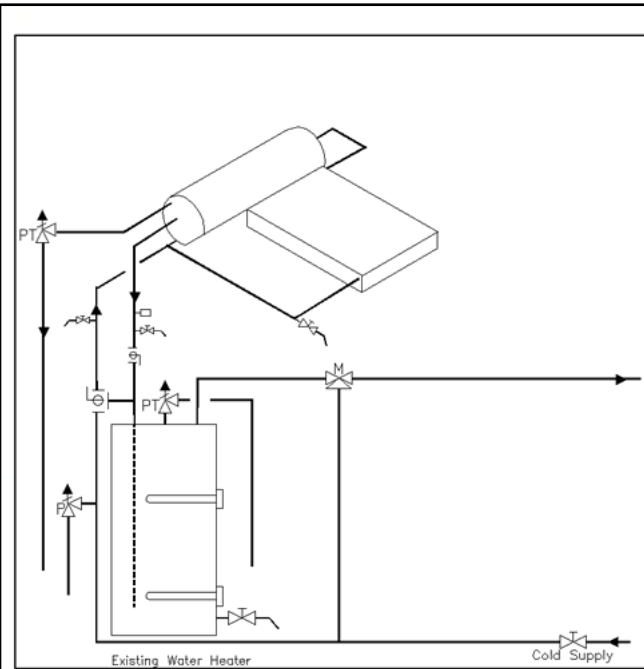
In Accordance with:
SRCC OG-300-2008-06

BRAND: EAGLESUN-FREEFLOW-THERMOSIPHON SYSTEM
 MODEL: FF-50-26
 SYSTEM TYPE: Thermosiphon, Direct
 CERTIFICATION #: 2011052C
 Original Certification: September 19, 2011
 Expiration Date: February 28, 2020

The solar system listed below has been evaluated by the Solar Rating & Certification Corporation™ (SRCC™), an ISO/IEC 17065 accredited and EPA recognized Certification Body, in accordance with SRCC OG-300, Operating Guidelines for Certifying Solar Water Heating Systems, and has been certified by the SRCC. This award of certification is subject to all terms and conditions of the Program Agreement and the documents incorporated therein by reference. This document must be reproduced in its entirety.

Description: Glazed Flat Plate, 4 °C 39 °F, Water , UL listed electric tank, None, None

Single-day Rating		SINGLE DAY RATING CONDITIONS		SI Units	Inch-Pound Units
Solar Energy Factor (SEF _D)	Solar Fraction (SF _D)	System Set Temperature	57.2 °C	135 °F	
1.5	0.39	Environmental Temperature	19.7 °C	67.5 °F	
Single-day Rating Conditions: SEF _D = Solar Energy Factor (info link) SF _D = Solar Fraction (info link)		Ambient Temperature Profile Average	14.4 °C	58 °F	
		Water Mains Temperature	14.4 °C	58 °F	
		Delivered Load	43.3 MJ/day	41,045 Btu/day	
		Solar Irradiance	4,733 Wh/m ² -day	1,500 Btu/ft ² -day	



Storage Tank(s)	
Solar Tank Vol (l)	Solar Tank Vol (gal)
197	52
Approximate Collector Area: 2.4 m ² , 26.0 ft ²	

The solar water system listed here has been certified by the SRCC as meeting the minimum standards for testing, installation, operation, maintenance, performance, reliability and safety as specified in SRCC Document OG-300. Thermal performance ratings are based on the successful durability and performance testing of a sample collector, where said tests have been conducted by an independent laboratory approved and listed by the SRCC. The system has been modeled using the computer simulation program TRNSYS to calculate the ratings.

Before the Supplier can make any change in design, materials, specifications, parts, or construction, the change(s) must be reported to the SRCC for evaluation of continued certification.

REMARKS:

Jeri Higgins

Technical Director

Print Date: August, 2015 Page 1 of 2
 Please verify certification is active on the SRCC website.
 © Solar Rating & Certification Corporation™



CERTIFIED SOLAR SYSTEM



SOLAR RATING
& CERTIFICATION
CORPORATION

SUPPLIER:
Alternate Energy Technologies
1345 Energy Cove Court
Green Cove Springs, FL 32043 USA
www.aetsolar.com

In Accordance with:
SRCC OG-300-2008-06

BRAND: EAGLESUN-FREEFLOW-THERMOSIPHON SYSTEM
MODEL: FF-50-26
SYSTEM TYPE: Thermosiphon, Direct
CERTIFICATION #: 2011052C
Original Certification: September 19, 2011
Expiration Date: February 28, 2020

The solar system listed below has been evaluated by the Solar Rating & Certification Corporation™ (SRCC™), an ISO/IEC 17065 accredited and EPA recognized Certification Body, in accordance with SRCC OG-300, Operating Guidelines for Certifying Solar Water Heating Systems, and has been certified by the SRCC. This award of certification is subject to all terms and conditions of the Program Agreement and the documents incorporated therein by reference. This document must be reproduced in its entirety.

Only the following options for the collector array are approved:

Option	Collector Panel Manufacturer	Collector Panel Request Number	Collector Panel Model Number	Collector Panel Name	Quantity	Total Panel area(m ²)	Total Panel area(ft ²)
1	Alternate Energy Technologies	10001936	MSC-26	Morning Star	1	2.42	26.01



Print Date: August, 2015 Page 2 of 2
Please verify certification is active on the SRCC website.
© Solar Rating & Certification Corporation™