

SOLAR WATER HEATING  
CERTIFICATION AND RATING



SRCC OG-300

CERTIFIED SOLAR WATER HEATING SYSTEM

SUPPLIER: **Alternate Energy Technologies**  
 1057 N. Ellis Road  
 Jacksonville, FL 32254 USA  
 (904) 781-8305  
 (904) 781-1911 Fax  
 (800) 874-2190

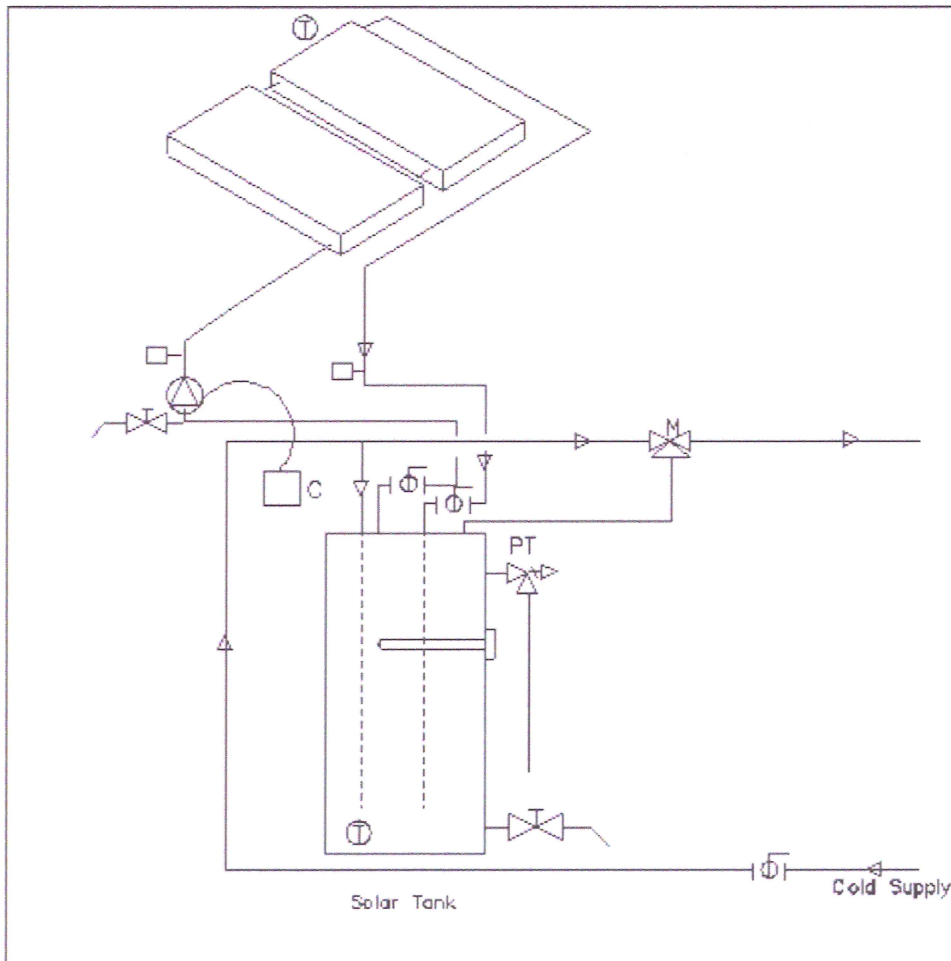
SYSTEM NAME: EagleSun

SYSTEM TYPE: Direct Forced Circulation

LOCATION:

Description: Glazed Flat-Plate, Differential Controller, No Supply Side Heat Exchanger , No Load Side Heat Exchanger , Freeze Tolerance: 41 F, Fluid Class I, Electric Auxiliary Tank

System Model_name	Cert 300#	Cert Date	Collector Panel Manufacturer	Collector Panel Name	Total Panel area(Sq-m)	Total Panel area(Sq-ft)	Solar Tank Vol(l)	Solar Tank Vol(g)	Aux Tank Vol(l)	Aux Tank Vol(g)	SEF
D-120-64	2011020B	24-MAR-11	Alternate Energy Technologies	AE-32	5.9	63.8	454	120			3.6
D-120-64	2011020B	24-MAR-11	Alternate Energy Technologies	MSC-32	6.1	65.3	454	120			3.6



OG-300 System Reference:2011020B [SVG Diagram Display](#)

March, 2011

Certification must be renewed annually, For current status contact:

SOLAR RATING & CERTIFICATION CORPORATION

c/o FSEC ♦ 1679 Clearlake Road ♦ Cocoa, FL 32922 ♦ (321) 638-1537 ♦ Fax (321) 638-1010