

SOLAR WATER HEATING
CERTIFICATION AND RATING



SRCC OG-300

CERTIFIED SOLAR WATER HEATING SYSTEM

SUPPLIER: **Alternate Energy Technologies**
1057 N. Ellis Road
Jacksonville, FL 32254 USA
(904) 781-8305
(904) 781-1911 Fax
(800) 874-2190

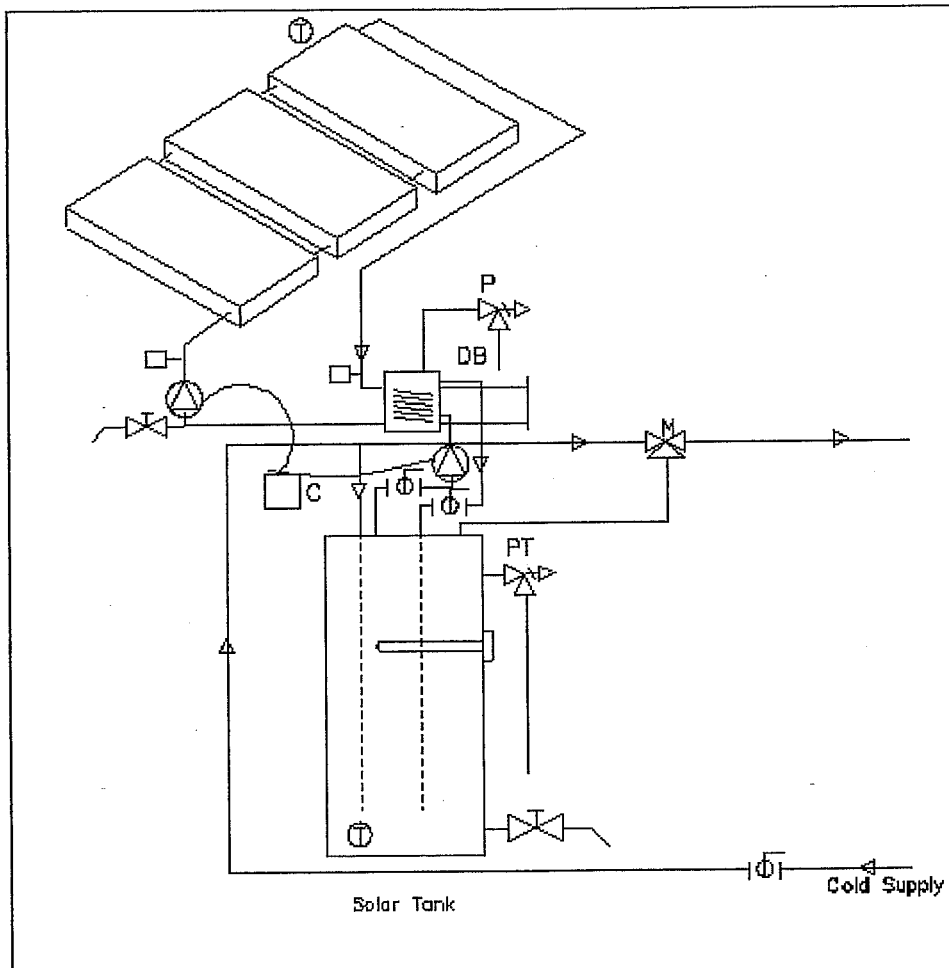
SYSTEM NAME: EagleSun DX

SYSTEM TYPE: Indirect Forced Circulation

LOCATION:

Description: Glazed Flat-Plate, Differential Controller, Shell and Tube Heat Exchanger Not found, No Load Side Heat Exchanger , Freeze Tolerance: -60 F, Fluid Class I, Electric Auxiliary Tank

System Model_name	Cert 300#	Cert Date	Collector Panel Manufacturer	Collector Panel Name	Total Panel area(Sq-m)	Total Panel area(Sq-ft)	Solar Tank Vol(l)	Solar Tank Vol(g)	Aux Tank Vol(l)	Aux Tank Vol(g)	SEF
DX-120-96	2006007G	22-AUG-06	Alternate Energy Technologies	AE-32	8.9	95.7	454	120			5.8
DX-120-96	2006007G	22-AUG-06	Alternate Energy Technologies	MSC-32	9.1	98	454	120			5.8
DX-80-63	2006007J	25-AUG-10	Alternate Energy Technologies	AE-21	5.8	62.3	303	80			2.7
DX-80-63	2006007J	25-AUG-10	Alternate Energy Technologies	MSC-21	6	64.5	303	80			2.7
DX-120-63	2006007K	25-AUG-10	Alternate Energy Technologies	AE-21	5.8	62.3	454	120			2.5
DX-120-63	2006007K	25-AUG-10	Alternate Energy Technologies	MSC-21	6	64.5	454	120			2.5



OG-300 System Reference:2006007G SVG Diagram Display