

SOLAR WATER HEATING  
CERTIFICATION AND RATING



SRCC OG-300

CERTIFIED SOLAR WATER HEATING SYSTEM

SUPPLIER: **Alternate Energy Technologies**  
 1057 N. Ellis Road  
 Jacksonville, FL 32254 USA  
 (904) 781-8305  
 (904) 781-1911 Fax  
 (800) 874-2190

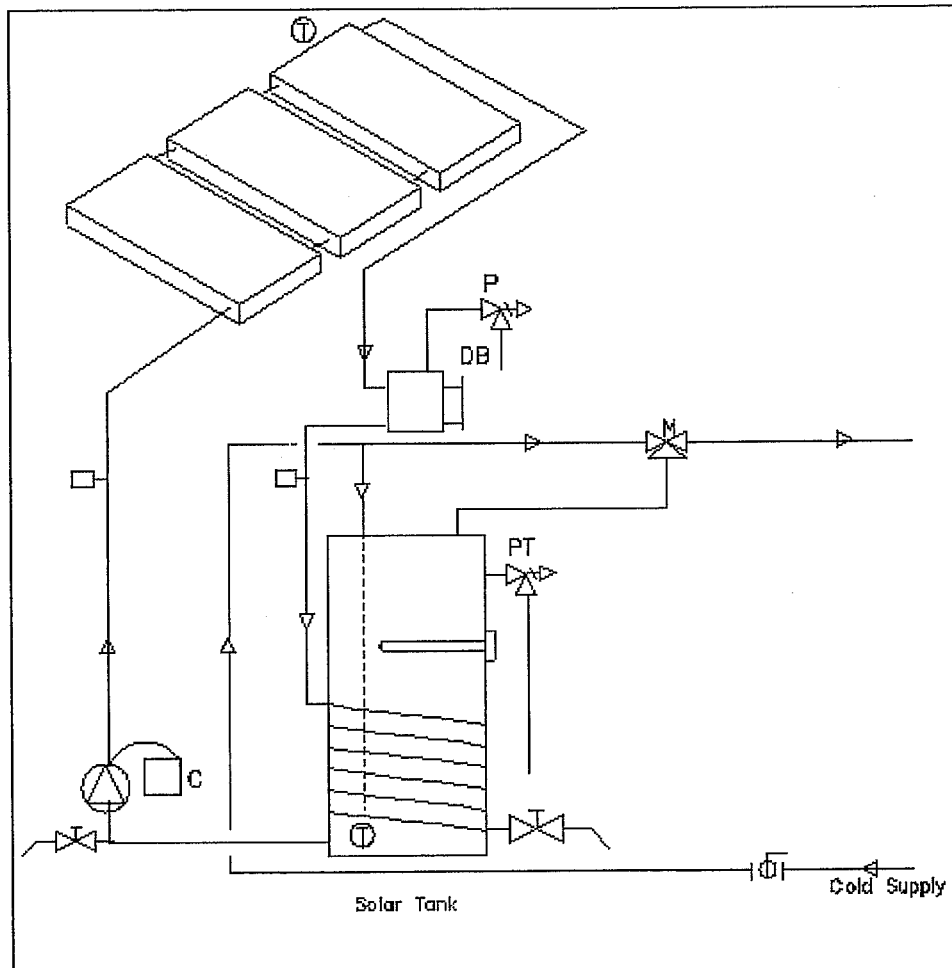
SYSTEM NAME: Eagle Sun

SYSTEM TYPE: Indirect Forced Circulation

LOCATION:

Description: Glazed Flat-Plate, Differential Controller, Tank Wrap Around Heat Exchanger with a Double Wall and Positive Leak Detection, No Load Side Heat Exchanger, Freeze Tolerance: -60 F, Fluid Class I, Electric Auxiliary Tank

System Model_name	Cert 300#	Cert Date	Collector Panel Manufacturer	Collector Panel Name	Total Panel area(Sq-m)	Total Panel area(Sq-ft)	Solar Tank Vol(l)	Solar Tank Vol(g)	Aux Tank Vol(l)	Aux Tank Vol(g)	SEF
DB-120-96	2006006G	22-AUG-06	Alternate Energy Technologies	AE-32	8.9	95.7	454	120			3
DB-120-96	2006006G	22-AUG-06	Alternate Energy Technologies	MSC-32	9.1	98	454	120			3
DB-80-63	2006006J	25-AUG-10	Alternate Energy Technologies	AE-21	5.8	62.3	303	80			2.3
DB-80-63	2006006J	25-AUG-10	Alternate Energy Technologies	MSC-21	6	64.5	303	80			2.3
DB-120-63	2006006K	25-AUG-10	Alternate Energy Technologies	AE-21	5.8	62.3	454	120			2
DB-120-63	2006006K	25-AUG-10	Alternate Energy Technologies	MSC-21	6	64.5	454	120			2



OG-300 System Reference:2006006G SVG Diagram Display