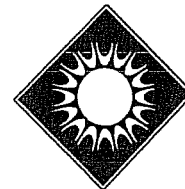


FLORIDA SOLAR ENERGY CENTER

1679 CLEARLAKE ROAD, COCOA, FLORIDA 32922-5703 (321) 638-1000



Approved Solar Energy System

FSEC # S9243

Approval Date: JAN 2008

| DISTRIBUTOR | SYSTEM |
|---|-----------|
| Alternate Energy Technologies, LLC 1057 N. Ellis Road, Suite 4 Jacksonville, FL 32254 | DPV-80-40 |

This system was evaluated by the Florida Solar Energy Center (FSEC) in accordance with the Florida Standards Program For Solar Domestic Water and Pool Heating Systems (FSEC-GP-7-80) and was found to meet the minimum standards established by FSEC.

The calculated Florida Energy Factors for this system are:

| | | |
|--|-------|---------------|
| | North | South/Central |
| | 3.2 | 3.5 |

Description

| Collector Manufacturer | Model Number | Units | Total Rating (Btu) |
|--------------------------|--------------|-------|--------------------|
| 1. Alternate Energy Tech | AE-40 | 1 | 34,400 |
| 2. | | | |
| 3. | | | |
| 4. | | | |

| Tank Manufacturer | Model Number | Capacity (gal) | Type: Direct |
|--------------------------|---------------|----------------|--------------|
| 1. American Water Heater | SE62-80H-045S | 80 | |
| 2. Rheem Water Heaters | 81VR80TC-1 | 80 | |
| 3. | | | |
| 4. | | | |

| Pump Manufacturer | Model Number | Power Draw (Watts) | Rated Power |
|---------------------|--------------|--------------------|-------------|
| 1. Laing Thermotech | D5Solar/090B | 22 | 1/35 H.P. |
| 2. | | | |
| 3. | | | |
| 4. | | | |

| Controller Manufacturer | Model Number | Type: Photovoltaic |
|-------------------------|--------------|--------------------|
| 1. SunWise Technologies | OEM-10 | |
| 2. Yingli Solar | PV-10 | |
| 3. | | |

Freeze Protection

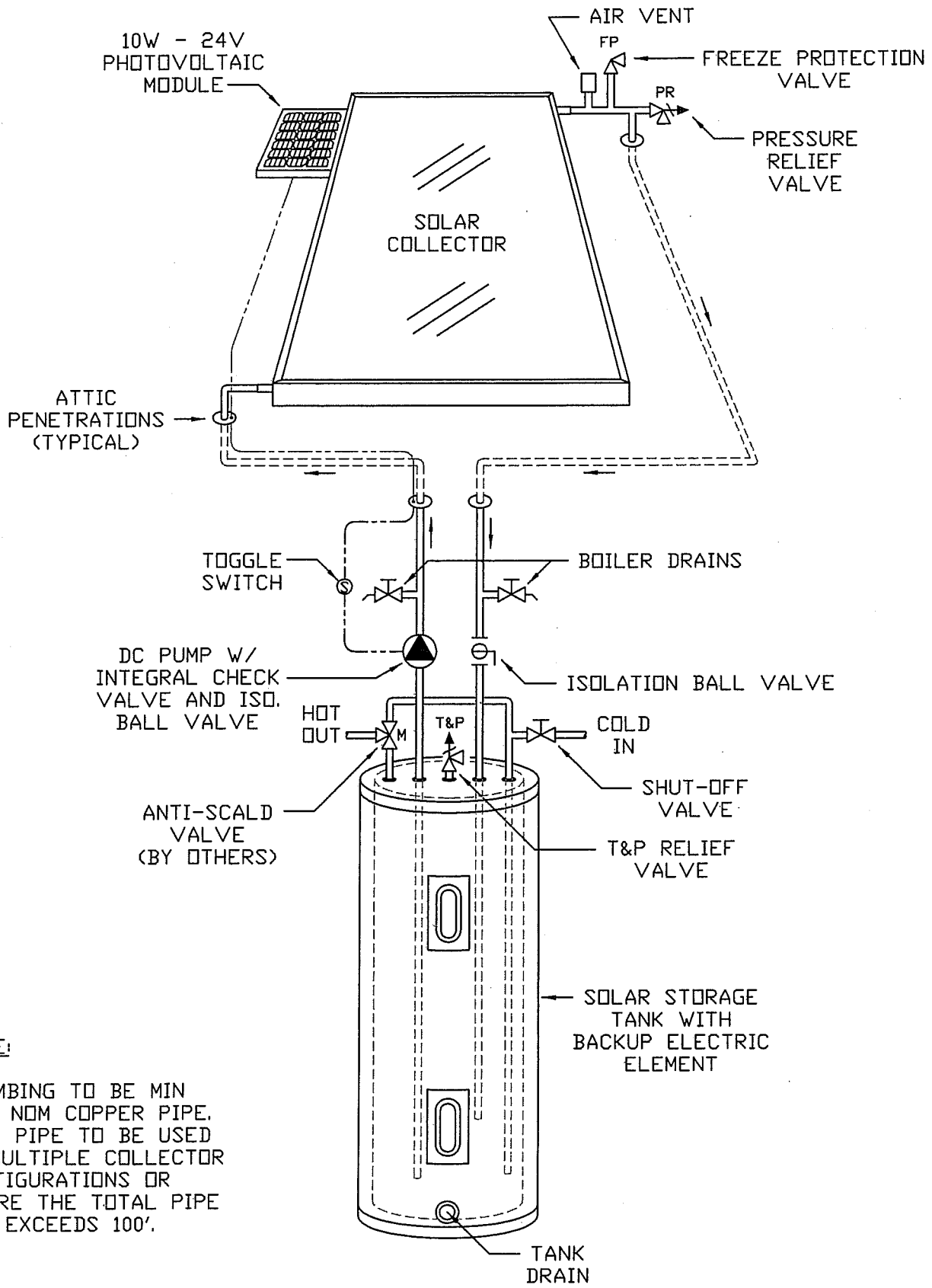
1. Thermally operated freeze protection valve
2. Manual draindown
- 3.

Other Major Components

- 1.
- 2.

If further information is required you may contact the Florida Solar Energy Center at the above address.

DIRECT PV SYSTEM DPV-80-40



NOTE:

PLUMBING TO BE MIN
1/2" NOM COPPER PIPE.
3/4" PIPE TO BE USED
IN MULTIPLE COLLECTOR
CONFIGURATIONS OR
WHERE THE TOTAL PIPE
RUN EXCEEDS 100'.