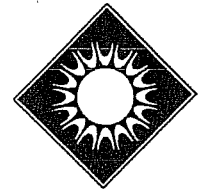


# FLORIDA SOLAR ENERGY CENTER

1679 CLEARLAKE ROAD, COCOA, FLORIDA 32922-5703 (321) 638-1000



## Approved Solar Energy System

FSEC # S9242

Approval Date: JAN 2008

DISTRIBUTOR	SYSTEM
Alternate Energy Technologies, LLC 1057 N. Ellis Road, Suite 4 Jacksonville, FL 32254	D-120-64

This system was evaluated by the Florida Solar Energy Center (FSEC) in accordance with the Florida Standards Program For Solar Domestic Water and Pool Heating Systems (FSEC-GP-7-80) and was found to meet the minimum standards established by FSEC.

The calculated Florida Energy Factors for this system are:

	North	South/Central
	4.3	4.8

### Description

Collector Manufacturer	Model Number	Units	Total Rating (Btu)
1. Alternate Energy Tech	AE-32	2	55,500
2.			
3.			
4.			

Tank Manufacturer	Model Number	Capacity (gal)	Type: Direct
1. American Water Heater	SE62-119H-045S	119	
2. Rheem Water Heaters	81VR80-TC-1	119	
3.			
4.			

Pump Manufacturer	Model Number	Power Draw (Watts)	Rated Power
1. TACO, Inc.	003-BC4	60	1/40 H.P.
2. Grundfos	UP15-18B5	85	1/25 H.P.
3.			
4.			

Controller Manufacturer	Model Number	Type: Differential
1. Goldline Controls	GL-30-LCO	
2. IMC Instruments	Eagle 1	
3. IMC Instruments	Eagle 2	

#### Freeze Protection

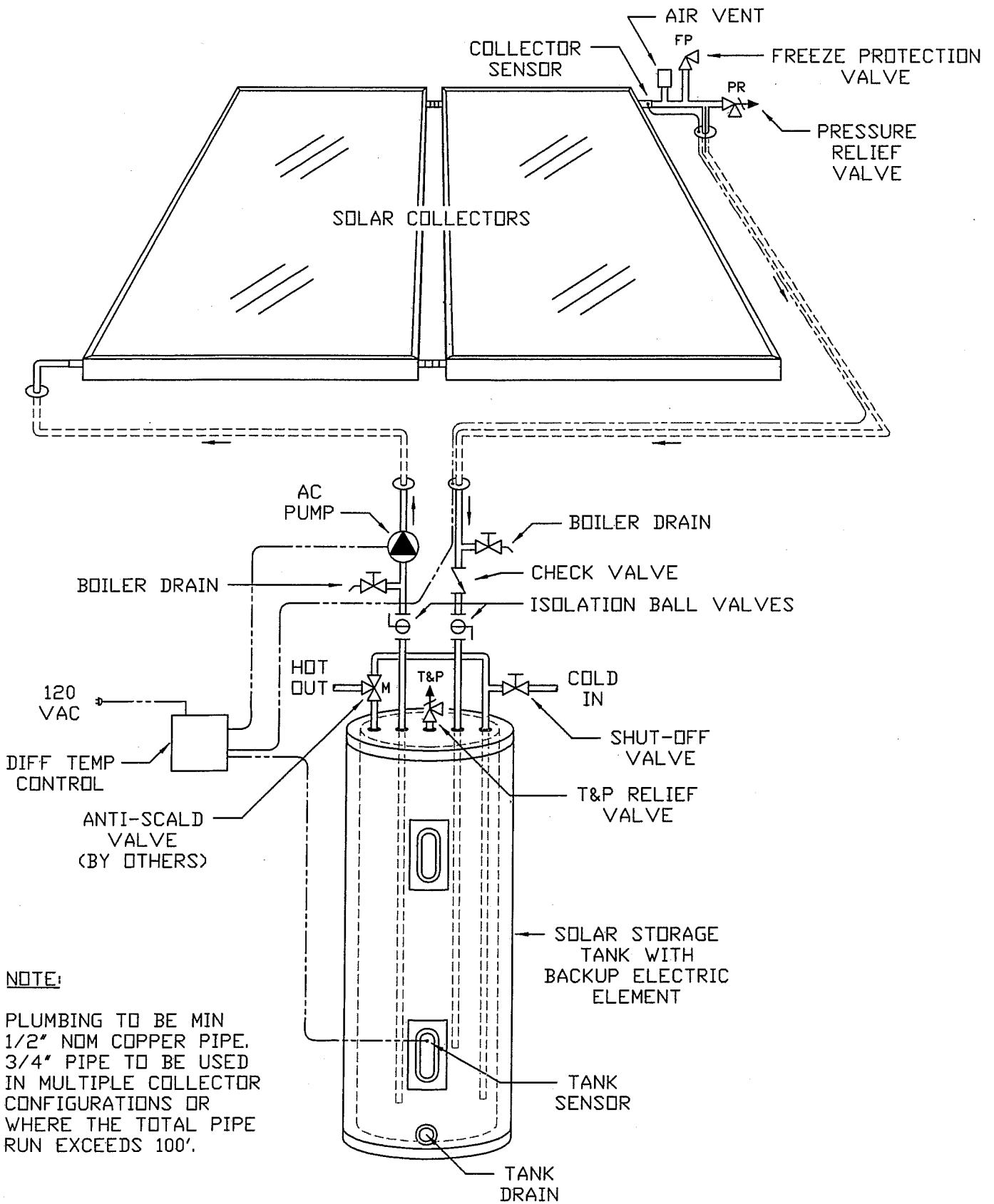
1. Thermally operated freeze protection valve
2. Manual draindown
- 3.

#### Other Major Components

- 1.
- 2.

If further information is required you may contact the Florida Solar Energy Center at the above address.

DIRECT SYSTEM  
D-120-64



**NOTE:**

PLUMBING TO BE MIN  
1/2" NOM COPPER PIPE.  
3/4" PIPE TO BE USED  
IN MULTIPLE COLLECTOR  
CONFIGURATIONS OR  
WHERE THE TOTAL PIPE  
RUN EXCEEDS 100'.